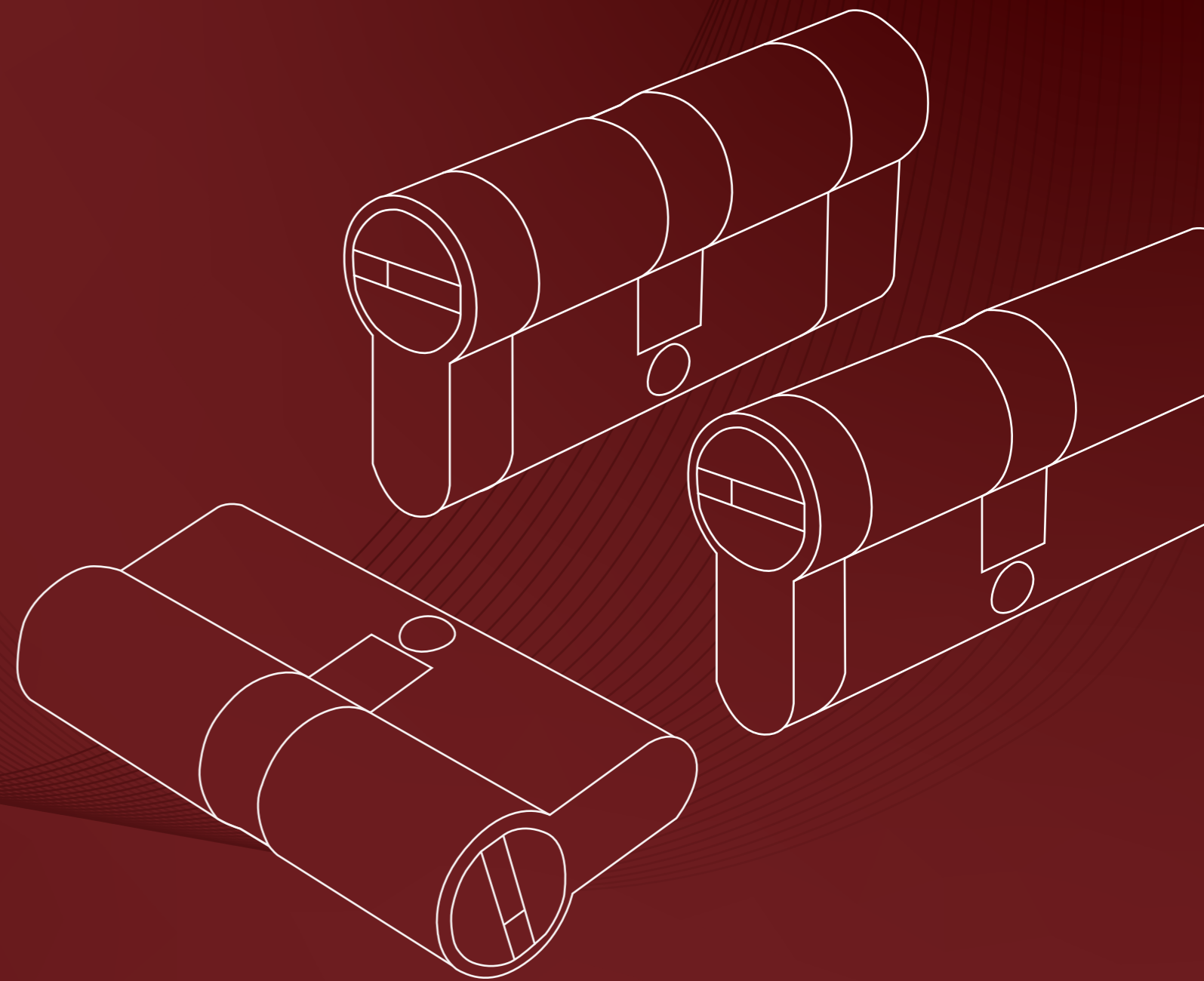


# EOS SECURE

## EOS SECURE 2023 CATALOGUE

Patent Security Lock Cylinders  
Locking System Lock Cylinders  
**MANUFACTURER**



**Company:** Zhongshan City EOS Secure Products Co., Ltd.

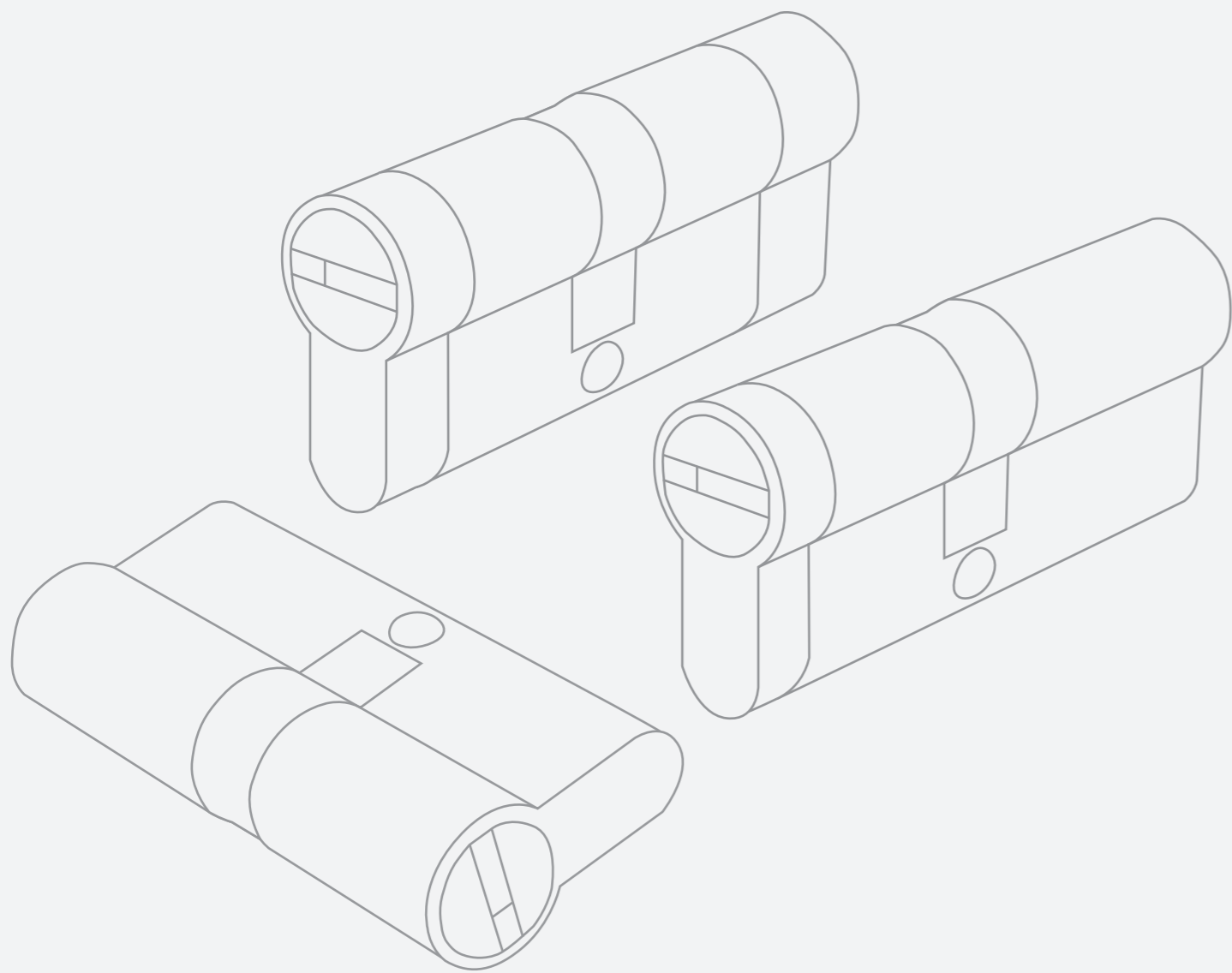
**Email:** winny@eos-secure.com

**Mobile:** +86 -13420436003

**Add:** No.29 Ronghua South Road, Xiaolan Town,  
Zhongshan City, Guangdong Province, China



[www.eos-secure.com](http://www.eos-secure.com)



# CATALOG

---

- 3** About EOS Secure
- 4** Production Line
- 8** Experienced R&D Team To Design What You Want
- 9** How EOS Controls The Quality
- 11** Patent Lock Cylinders
- 18** Smart Lock Cylinders
- 24** High Security Cylinders
- 40** American Standard Lock Cylinders
- 48** Normal Key Cylinders
- 53** Other Cylinders
- 61** Other Functions



## ABOUT EOS SECURE

EOS has been the leading manufacturer of mechanical lock cylinders since 2011. We mainly focus on the precision and security of the lock cylinders. By investing in high-end CNC machines and quality testing machines, cultivating highly-skilled engineers, we are the only choice for you in high-precision lock cylinders in China. Our cylinder products are widely promoted by door manufacturers, locksmiths, DIY hardware shops, architectural companies, traditional hardware dealers, etc. With over 10 years of industrial experience, we are a professional manufacturer that understands our clients very well. We mainly export the lock cylinders to Europe, North America, South East Asia, South America, Middle East Area, etc. Welcome OEM/ODM customers and customers who want to be our Agents.



Precision-Oriented Lock Cylinder  
Modern Plant



Matured Master Key System  
Cylinder Experience



Precision Lock Cylinder  
Manufacturing



Fulfilled Lock Cylinder  
Customization



SOP-Based Lock Cylinder  
Quality Management



Full After-Sales  
Service

**2011**  
Years We Started

**50 +**  
Precision Machines

**7000 +**  
Square Meters Production Base

**150 +**  
Employees

**400000 +**  
Pcs Monthly

**50 +**  
Exported Countries



Featured CNC Machines

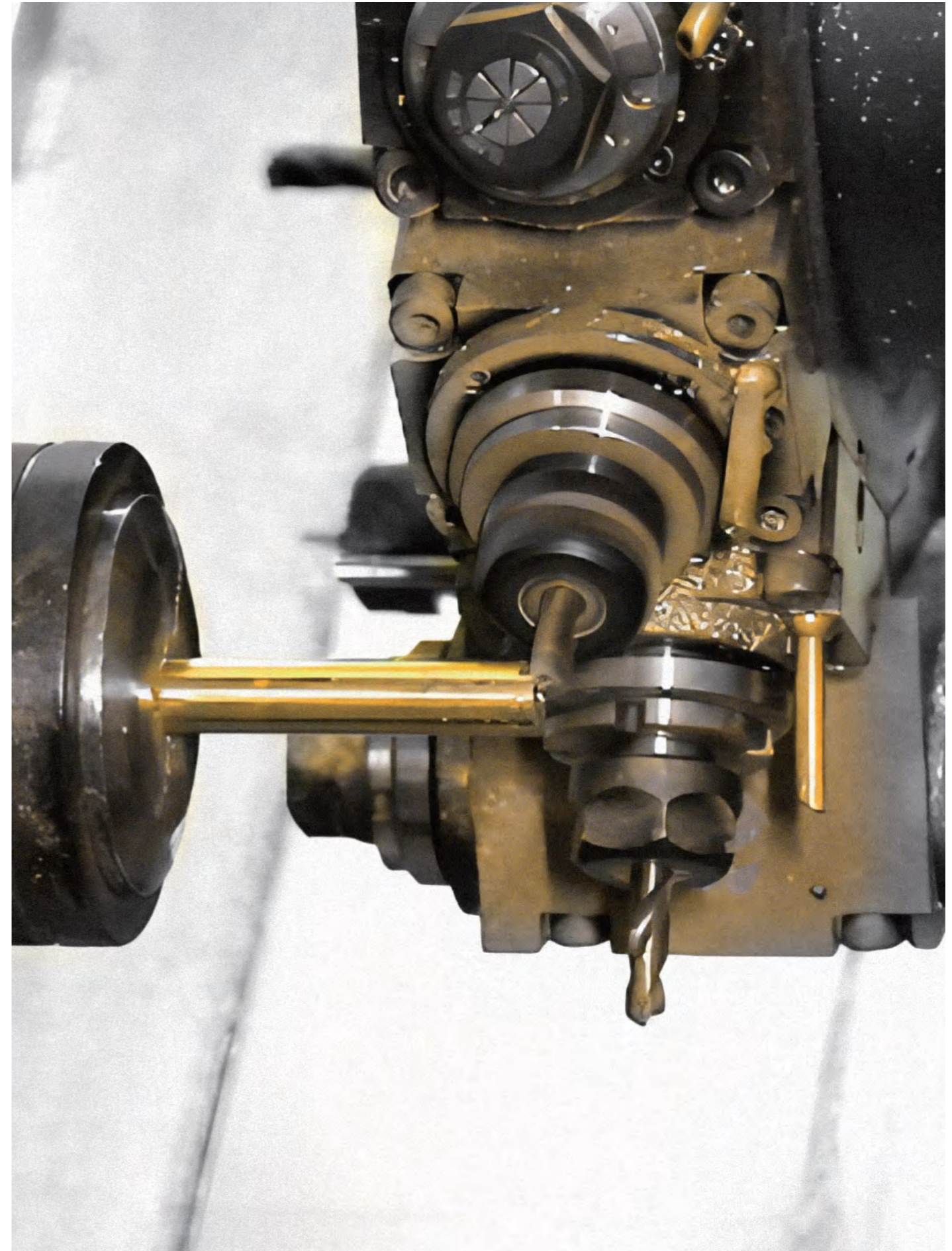
## **TSUGAMI CNC SWISS-TYPE AUTOMATIC LATHE MACHINES**

- Controlling the machining tolerance within 0.01mm.
- Produce high precision and complicated products.
- Quick response sampling service.
- Quick mass production machining speed.
- Low MOQ requirement.

Featured CNC Machines

## CNC LATHING-TURNING -MILLING-DRILLING MACHINES

- Controlling the machining tolerance within 0.02mm.
- Customize high precision complicated lock cylinders.
- Quick response sampling service.
- Low MOQ requirement.





Featured CNC Machines

## CNC 4-AXIS MACHINING CENTERS

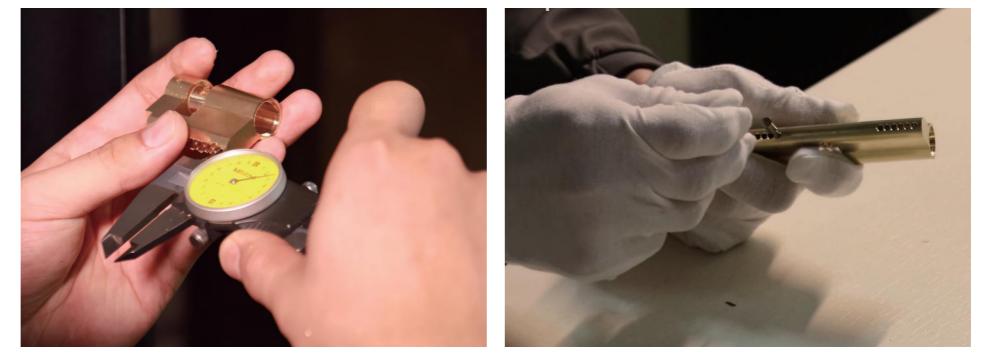
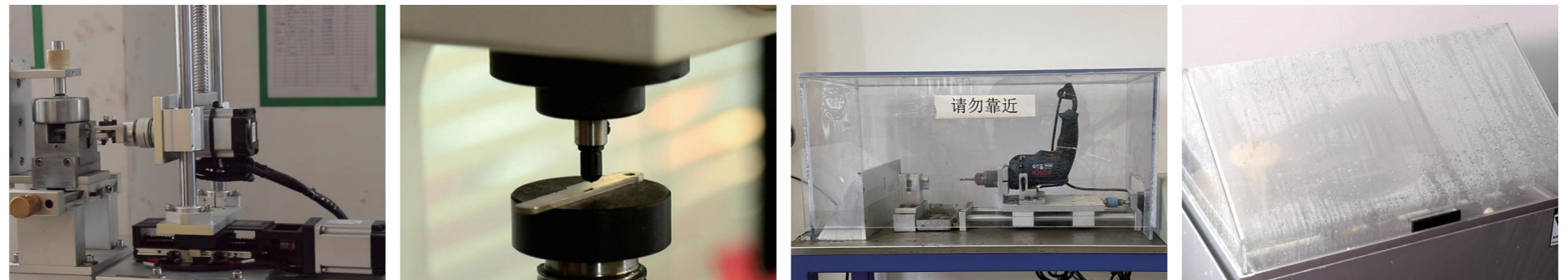
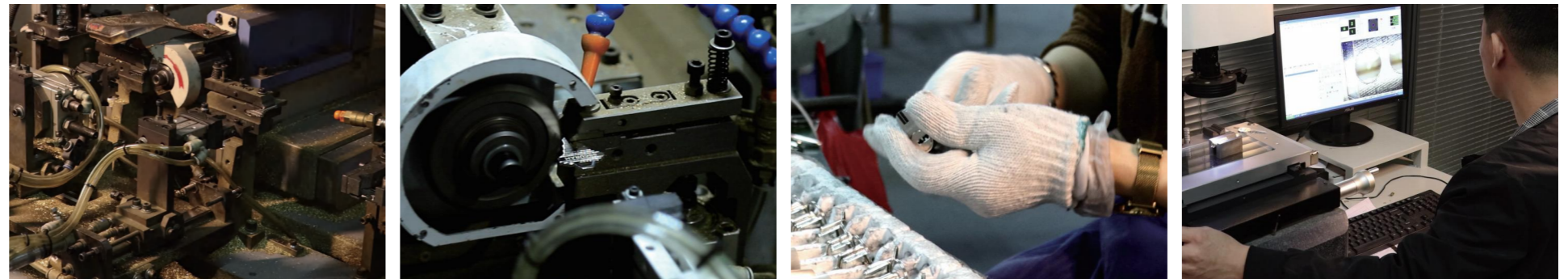
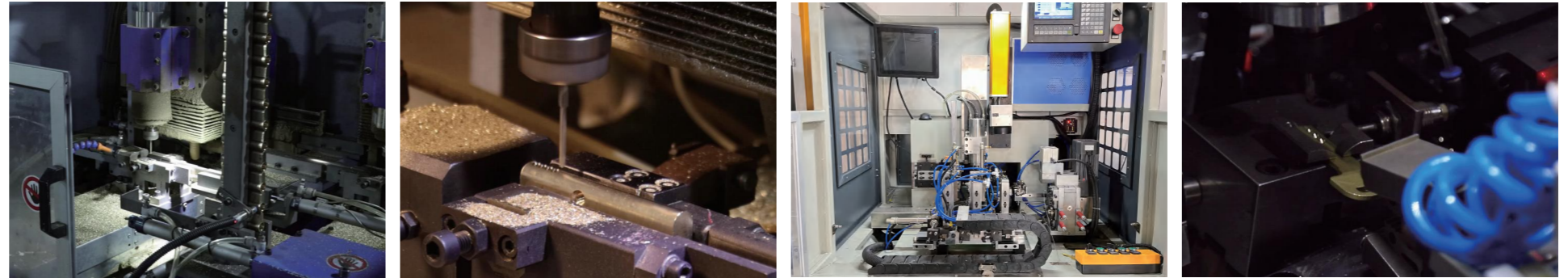
- Controlling the machining tolerance within 0.02mm.
- Produce high precision and complicated products.
- Quick response sampling service.
- Quick mass production machining speed.
- Low MOQ requirement.



Featured CNC Machines

## CNC AUTOMATIC ROBOT ARM LATHING MACHINES

- CNC lathing and drilling in one catch.
- Controlling the machining tolerance within 0.03mm.
- Quantities of machines: 6 sets.



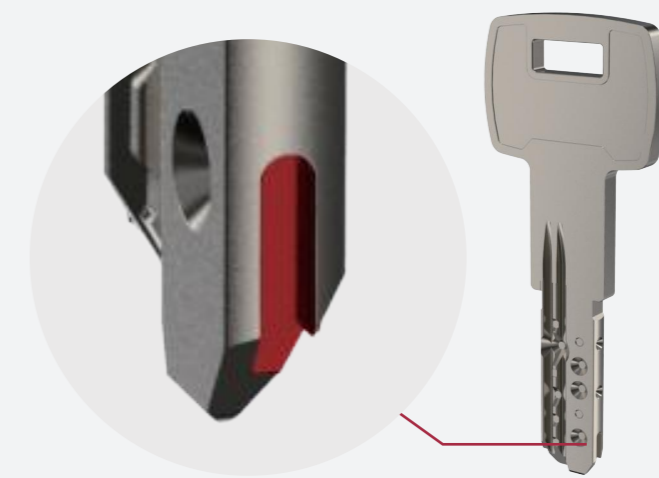
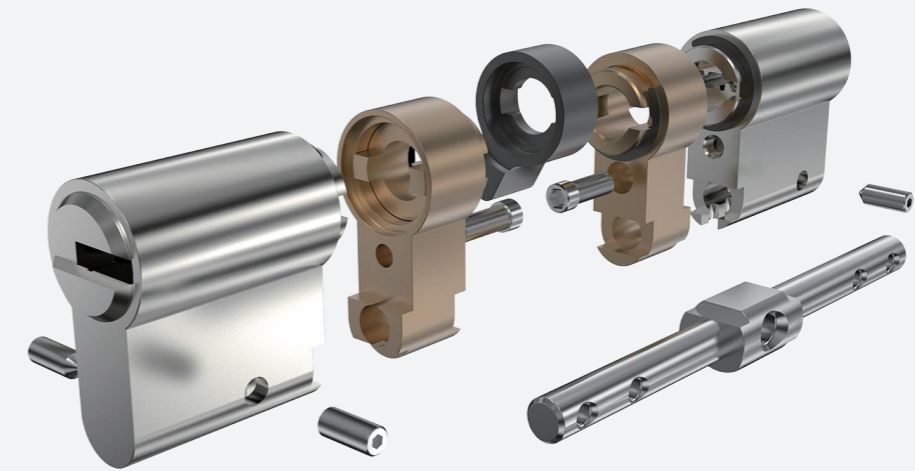
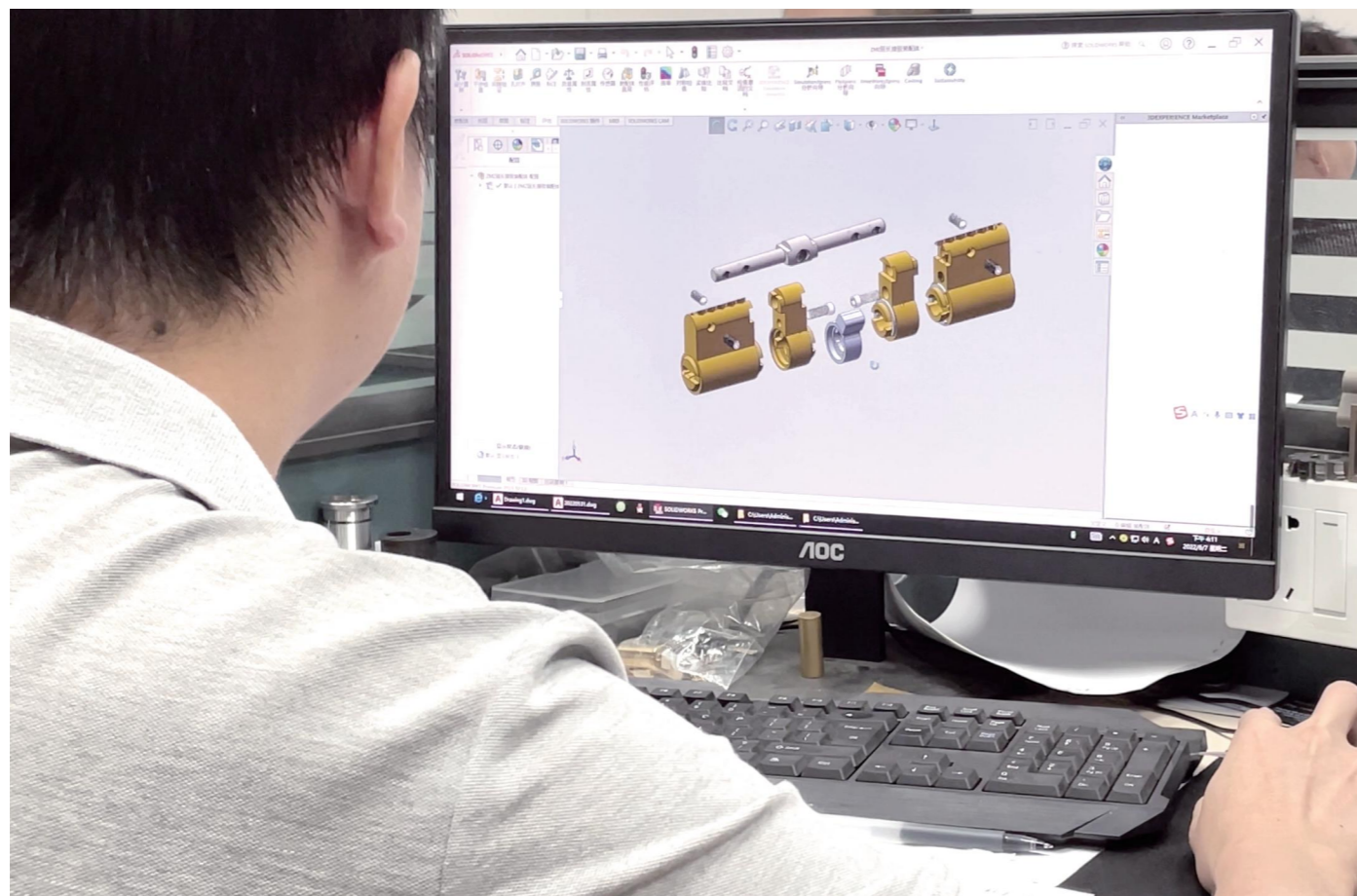
Featured CNC Machines

# OTHER MACHINES AND QUALITY MANAGEMENT METHOD

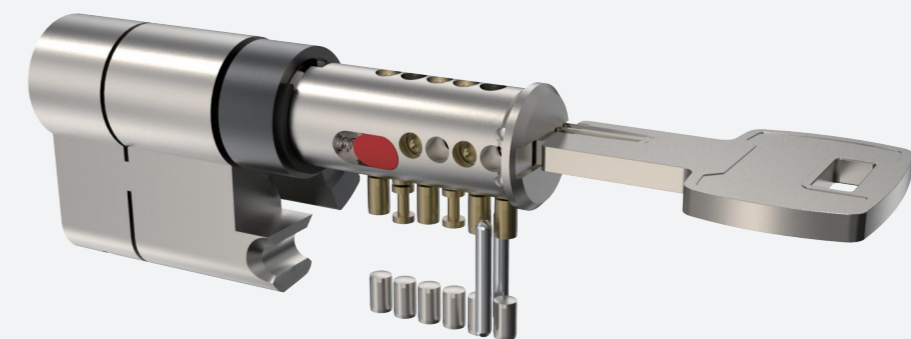


# EXPERIENCED R&D TEAM TO DESIGN WHAT YOU WANT

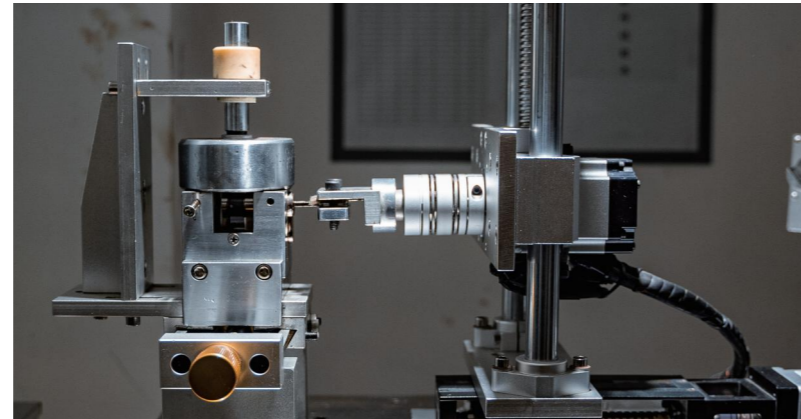
- Share your ideas about new products.
- We issue the technical drawings.
- Then we make samples before mass production.
- 3 mechanical engineers, keep developing patent products.



Special cut



EOS patent sliding moving pin



**01** Cycle test machine



**02** Anti drilling test machine



**05** Finished Products Inspection



**03** First Article Inspection



**04** Inprocess Quality Control Inspection



**07** Testing Method And Standard

## HOW EOS CONTROLS THE QUALITY

**Zhongshan City EOS Secure Products Co., Ltd**  
 Web: [www.eos-secure.com](http://www.eos-secure.com)  
 Add: No.6 Zhifu Road, Xiaolan Town, Zhongshan City, Guangdong Province, China

EOS Contact	Joyce Zhou	Customer	佛山通顺五金有限公司
Mobile	+86-13703040003	ATTN	李小姐

**QC Report of Order Goods**

PI / Order No.	QC Date
2211015	20221230
2211032	20221230

(30+30)(SPIN) E.BLACK THUMBTURN CYLINDER (2211032)

**06** Final Quality Control Report

# EOS SECURE

**Company:** Zhongshan City EOS Secure Products Co., Ltd.

**Email:** winny@eos-secure.com

**Mobile:** +86 -13420436003

**Add:** No.29 Ronghua South Road, Xiaolan Town,  
Zhongshan City, Guangdong Province, China



## EOS SECURE 2023 CATALOGUE

Patent Security Lock Cylinders  
Locking System Lock Cylinders  
**MANUFACTURER**

### PATENT LOCK CYLINDERS

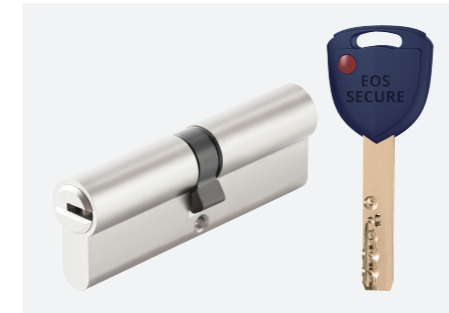


 EOS SECURE

[www.eos-secure.com](http://www.eos-secure.com)

# PATENT LOCK CYLINDERS

Patent Security Lock Cylinders  
Locking System Lock Cylinders  
**MANUFACTURER**



**P1**

Telescopic Pin Lock Cylinder  
with Patented Move Element



**P2**

Dimple Pin Lock Cylinder  
with Patented Move Element



**P3**

Master Key System Lock Cylinder  
with Patented Move Element



**P4**

Active Pin with Passive Pin Lock  
Cylinder with Patented Move  
Element and Anti Pick Slider



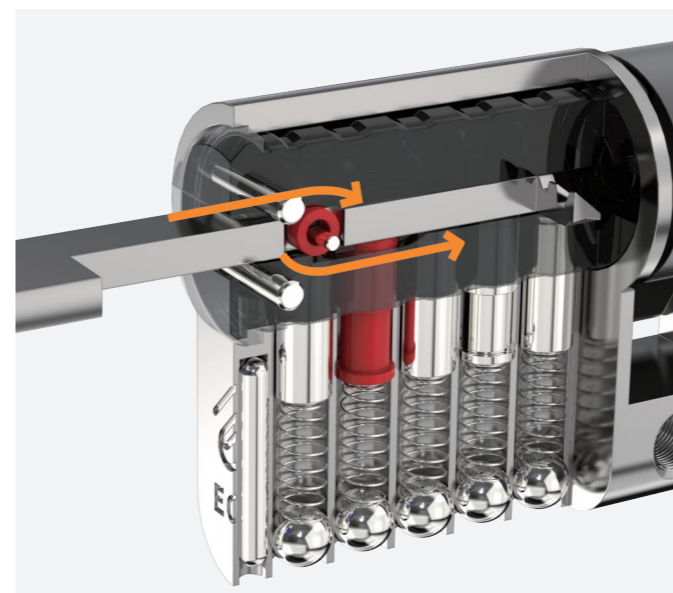
**P5**

Double Row Dimple Pin Lock Cylinder  
with Patented Move Element

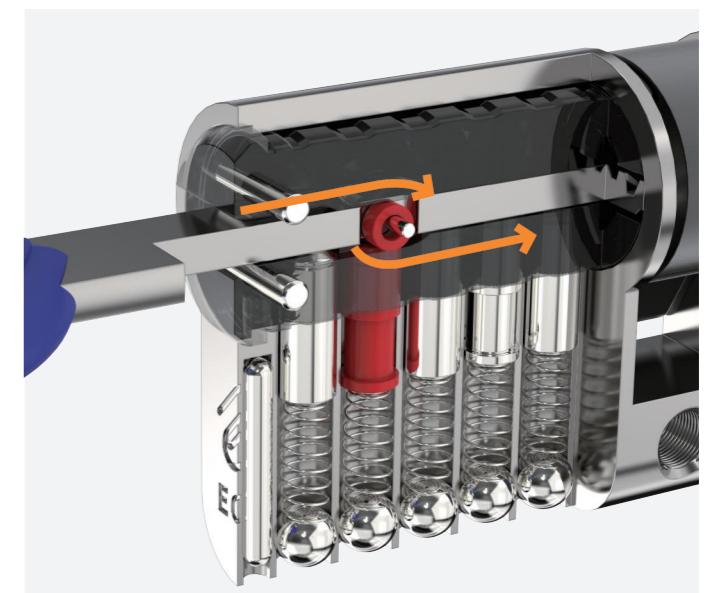
# P1 **NEW!**

## TELESCOPIC PIN LOCK CYLINDER WITH PATENTED MOVE ELEMENT

- Patented move element on key blanks to protect your profits.
- Customize different keyways to protect your profits.
- Easy to make key duplicate.
- Precision lock cylinder, you can assemble complete cylinders locally with just parts.
- Customize your logo on the product and packing.
- Available for making master key system.
- Available with key code card.
- Customize to pass security cylinder certificate.
- Optional to make modular system.
- Optional double-entry function.



The roller firstly goes upwards, then the groove inside the plug changes the direction of the roller.

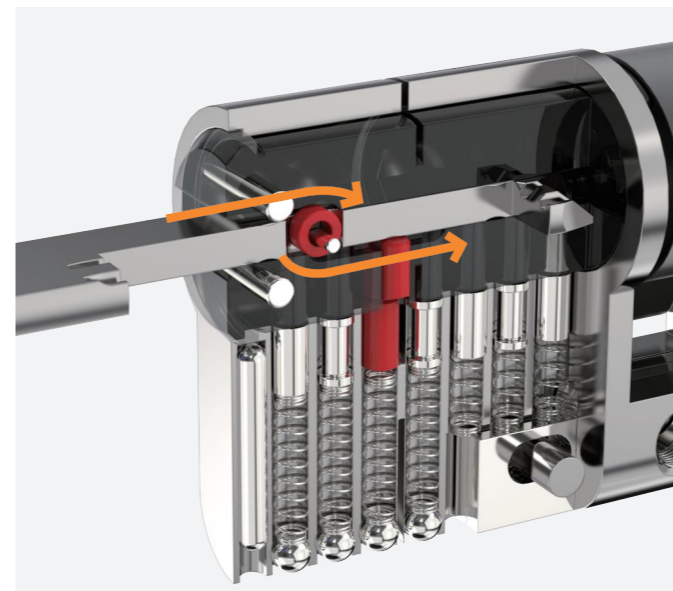


The roller goes downwards and touch the special pin. The plug meets the shear line.

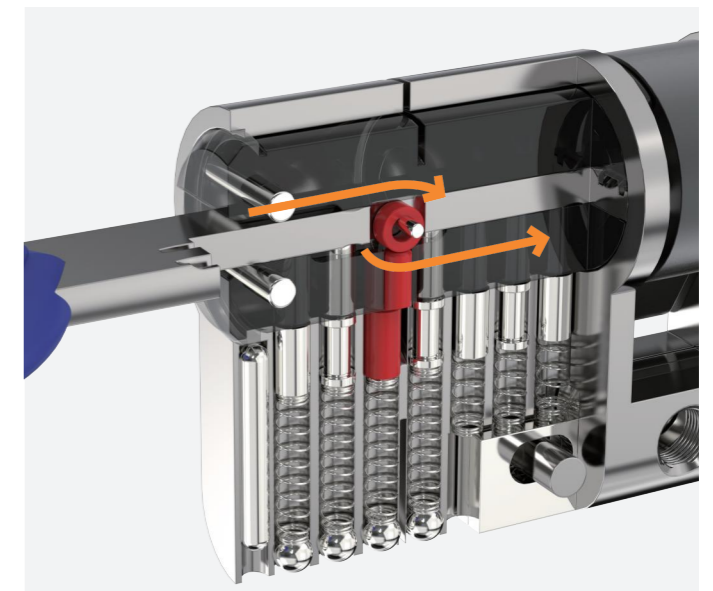
# P2 **NEW!**

## DIMPLE PIN LOCK CYLINDER WITH PATENTED MOVE ELEMENT

- Patented move element on key blanks to protect your profits.
- Customize different keyways to protect your profits.
- Easy to make key duplicate.
- Precision lock cylinder, you can assemble complete cylinders locally with just parts.
- Customize your logo on the product and packing.
- Available for making master key system.
- Available with key code card.
- Customize to pass security cylinder certificate.
- Optional to make modular system.
- Optional double-entry function.



The roller firstly goes upwards, then the groove inside the plug changes the direction of the roller.

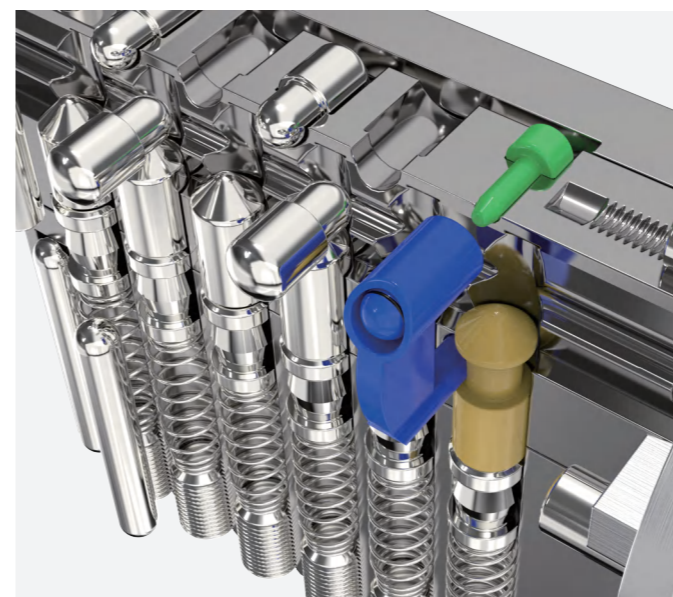


The roller goes downwards and touch the special pin. The plug meets the shear line.

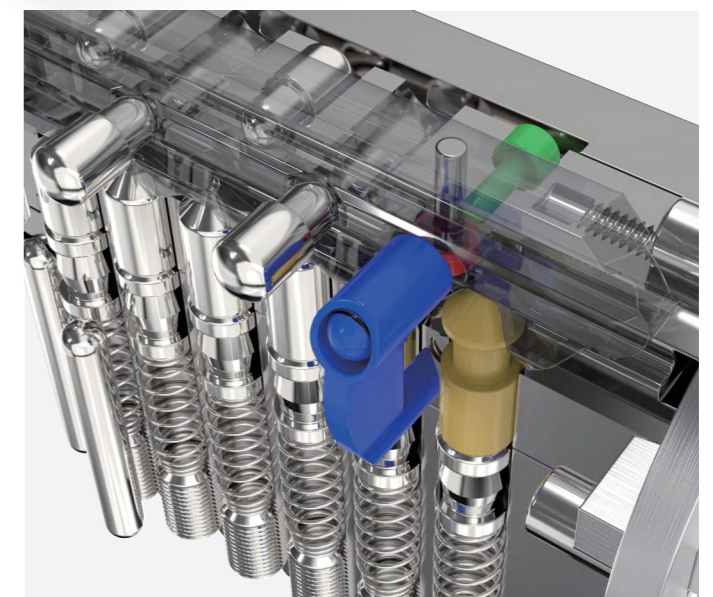
**P3** **NEW!**

## MASTER KEY SYSTEM LOCK CYLINDER WITH PATENTED MOVE ELEMENT

- Patented move element on key blanks to protect your profits.
- Customize different keyways to protect your profits.
- Easy to make key duplicate.
- Precision lock cylinder, you can assemble complete cylinders locally with just parts.
- Customize your logo on the product and packing.
- Available for making master key system.
- Available with key code card.
- Customize to pass security cylinder certificate.
- Optional to make modular system.
- Optional double-entry function.



The blue part limits the yellow key pin to go inside of the plug.



Inserted with the right key with roller. The roller will push the blue part backwards, so the yellow key pin goes into the plug.

# P4 **NEW!**

## ACTIVE PIN WITH PASSIVE PIN LOCK CYLINDER WITH PATENTED MOVE ELEMENT AND ANTI PICK SLIDER

- Patented move element and anti pick slider on key blanks to protect your profits.
- Active pin with passive pin lock cylinder structure.
- Customize different keyways to protect your profits.
- Easy to make key duplicate.
- Convenient to assemble small-scale master key system by using the passive pins.
- Precision lock cylinder, you can assemble complete cylinders locally with just parts.
- Customize your logo on the product and packing.
- Available for making master key system.
- Available with key code card.
- Customize to pass security cylinder certificate.
- Optional to make modular system.
- Optional double-entry function.



Patented Slider for Anti-Pick



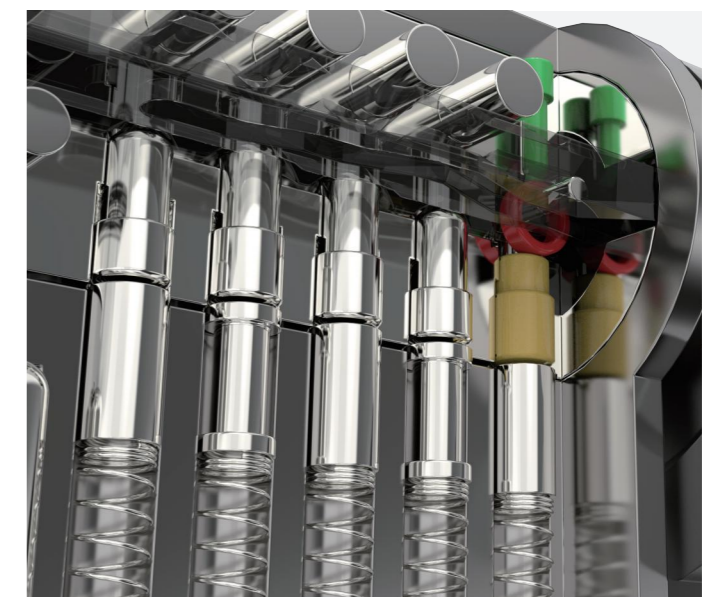
**P5** **NEW!**

## DOUBLE ROW DIMPLE PIN LOCK CYLINDER WITH PATENTED MOVE ELEMENT

- Patented move element on key blanks to protect your profits.
- Customize different keyways to protect your profits.
- Easy to make key duplicate.
- Precision lock cylinder, you can assemble complete cylinders locally with just parts.
- Customize your logo on the product and packing.
- Available for making master key system.
- Available with key code card.
- Customize to pass security cylinder certificate.
- Optional to make modular system.
- Optional double-entry function.



The cylinder is locked.

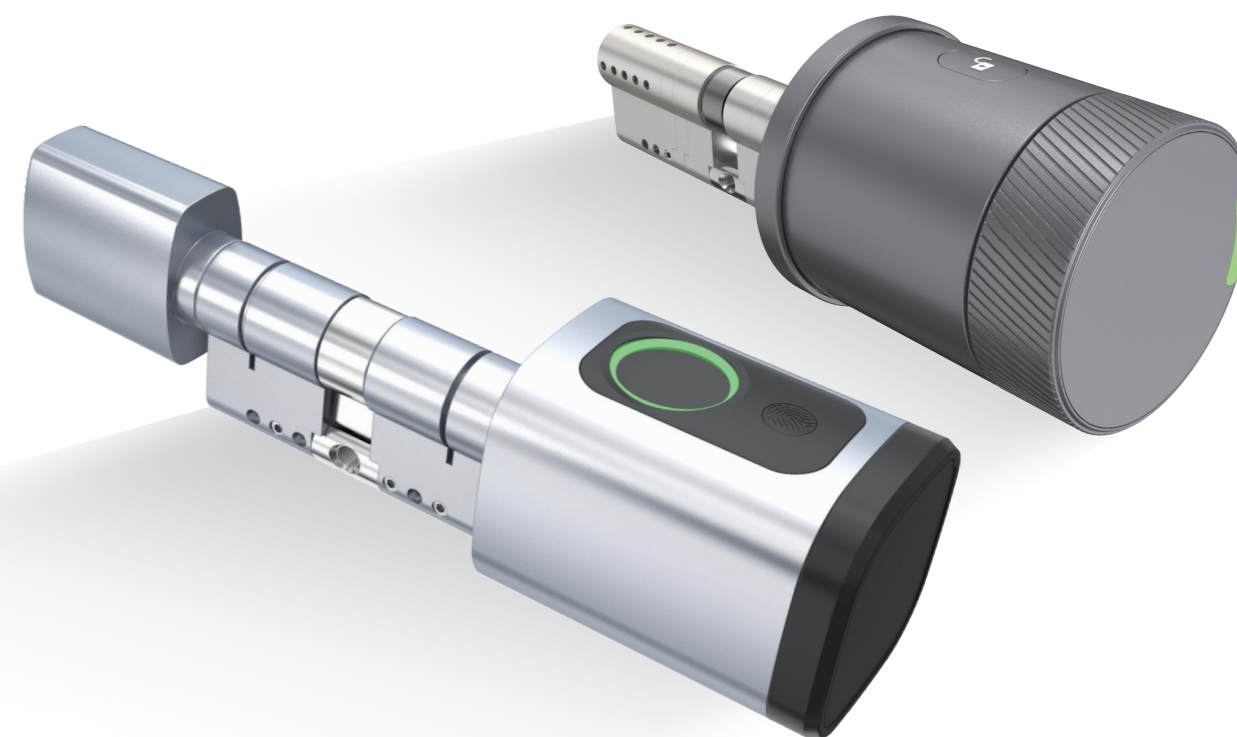


Inserted with the right key with roller. The roller will be pushed by the green pin and work with the yellow key pin.

## EOS SECURE 2023 CATALOGUE

Patent Security Lock Cylinders  
Locking System Lock Cylinders  
**MANUFACTURER**

### SMART LOCK CYLINDERS



**Company:** Zhongshan City EOS Secure Products Co., Ltd.

**Email:** winny@eos-secure.com

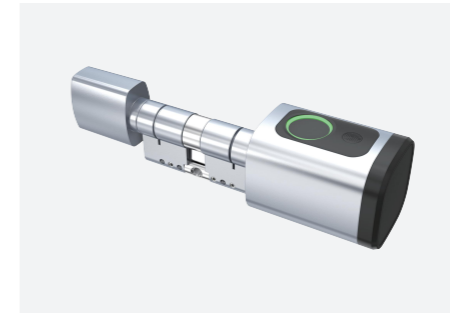
**Mobile:** +86 -13420436003

**Add:** No.29 Ronghua South Road, Xiaolan Town,  
Zhongshan City, Guangdong Province, China



# SMART LOCK CYLINDERS

Patent Security Lock Cylinders  
Locking System Lock Cylinders  
**MANUFACTURER**



**D1**

Smart  
Lock Cylinder



**D2**

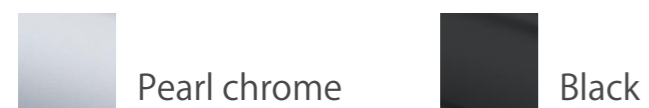
Smart  
Lock Cylinder

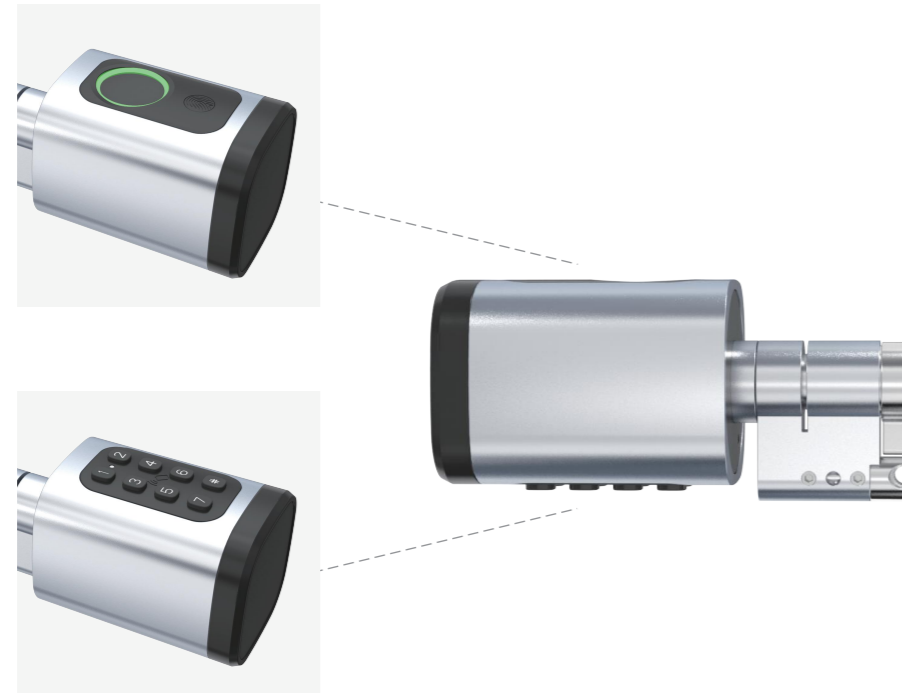
# D1

**NEW!**

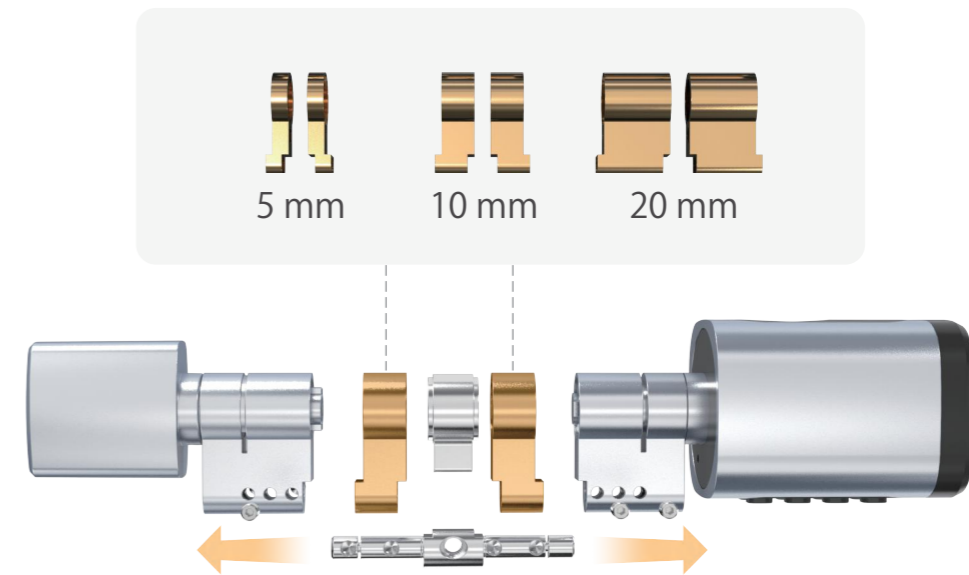
## SMART LOCK CYLINDER

- Modular function, easily change the cylinder length.
- TUYA apps remote unlock, BLE distance unlock, Passwords, Emergency key unlock.
- TUYA or TT Lock, both in Android and IOS system, support multi-languages.
- 3 pcs of Number 7 battery and 1-year battery life.
- Back up type-c power supply or emergency key unlock.





**Fingerprint / RFID card / Keypad  
All-in-One Knob**



**Easy Adjustable Length**



# D2

**NEW!**

## SMART LOCK CYLINDER

- Modular function, easily change the cylinder length.
- TUYA apps remote unlock, BLE distance unlock, Passwords, High security key unlock.
- TUYA or TT Lock, both in Android and IOS system, support multi-languages.
- 3 pcs of Number 7 battery and 1-year battery life.
- Back up type-c power supply or emergency key unlock.

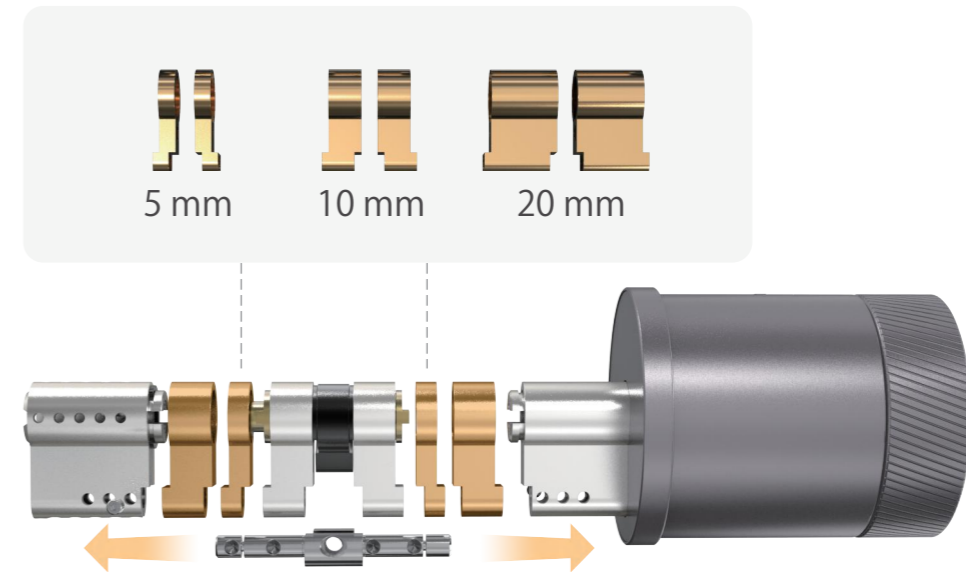




Outside of the door



Inside of the door



Easy Adjustable Length

Fingerprint / Passwords Unlock



Mechanical Key Unlock



Tuya Apps BLE Unlock



Auto Lock



Manual Unlock



## EOS SECURE 2023 CATALOGUE

Patent Security Lock Cylinders  
Locking System Lock Cylinders  
**MANUFACTURER**

### HIGH SECURITY CYLINDERS



**Company:** Zhongshan City EOS Secure Products Co., Ltd.

**Email:** winny@eos-secure.com

**Mobile:** +86 -13420436003

**Add:** No.29 Ronghua South Road, Xiaolan Town,  
Zhongshan City, Guangdong Province, China





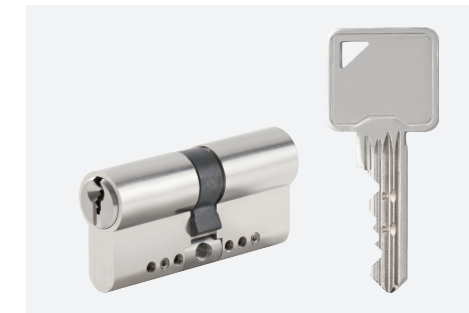
# HIGH SECURITY CYLINDERS

Patent Security Lock Cylinders  
Locking System Lock Cylinders  
**MANUFACTURER**



**S1**

Telescopic Pin Lock Cylinder  
with Move Element



**S2**

Anti-Pick Keyway Cylinder  
with Side Pins



**PADLOCK-1**

Adjustable Cam Half Cylinder with  
European Profile Brass Padlock



**PADLOCK-2**

Security Hardened Steel Padlock Lock  
with Security Lock Cylinder



**LK13**

Dimple Key 7 Pin Lock Cylinder



**LK16-1**

Telescopic Pin Lock Cylinder  
with Move Element

MORE

Active Pins and Passive Pins Security Cylinder

**S1****NEW!**

## TELESCOPIC PIN LOCK CYLINDER WITH MOVE ELEMENT

- Patented modular system. Patented move element cylinder.
- Able to pass EN1303 6D test.
- Few sizes of connecting bridges to assemble most popular sizes.
- Able to assemble as knob cylinder, emergency double clutch cylinder, double cylinder and half cylinder.
- Customize different keyways to protect your profits.
- Easy to make key duplicate.
- Back pins and side pins to increase key combination.
- Precision lock cylinder, you can assemble complete cylinders locally with just parts.
- Customize your logo on the product and packing.
- Available for making master key system.
- Available with key code card.
- Optional to make modular system.
- Optional double-entry function.

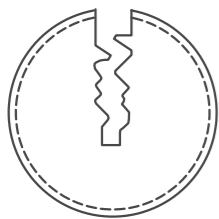


S2

NEW!

## ANTI-PICK KEYWAY CYLINDER WITH SIDE PINS

- Few sizes of connecting bridges to assemble most popular sizes.
- Able to assemble as knob cylinder, emergency double clutch cylinder, double cylinder and half cylinder.
- Customize different keyways to protect your profits.
- Easy to make key duplicate.
- Precision lock cylinder, you can assemble complete cylinders locally with just parts.
- Customize your logo on the product and packing.
- Available for making master key system.
- Available with key code card.
- Optional to make modular system.
- Optional double-entry function.



Anti Pick Keyway



# S1 / S2

## MODULAR, QUICK, SECURE

### Optimize Your Stocks


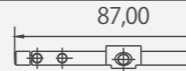

- The modular system makes it possible to optimize your stocks and immediately satisfy the requests from the customers.
- With the stainless steel modular bridge, and anti-drilling pins inside of the plug, the security of the cylinder could be maximum.


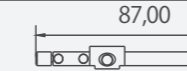
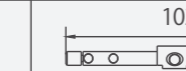
### All Components You Need for Any Dimensions

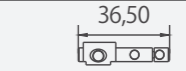

- EOS-Secure provides all the components for assembling the modular cylinders.
- Modular sizes starting from shortest 30mm+30mm. With extensions of 5-10-20mm to satisfy any assembling needs in less than a minute.



### 8 sizes of connecting bridges to assemble most common lengths

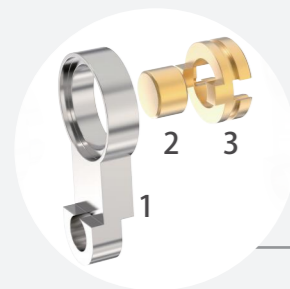
Connecting bridge (both sides have same length)		
57,00	87,00	117,00
		
Available assembling length	Available assembling length	Available assembling length
33+33=66MM	33+33+15=96MM	33+33+30=126MM
33+33+5=76MM	33+33+20=106MM	33+33+35=136MM
33+33+10=86MM	33+33+25=116MM	33+33+40=146MM
33+33+15=96MM	33+33+30=126MM	33+33+45=156MM

Off-set connecting bridge (both sides have different length)		
72,00	87,00	102,00
		
Available assembling length	Available assembling length	Available assembling length
33/33+15=81MM	33/33+30=96MM	33+15/33+30=111MM
33+5/33+20=91MM	33+5/33+35=106MM	33+20/33+35=121MM
33+10/33+25=101MM	33+10/33+40=116MM	33+25/33+40=131MM
33+15/33+30=111MM	33+15/33+45=126MM	33+30/33+45=141MM

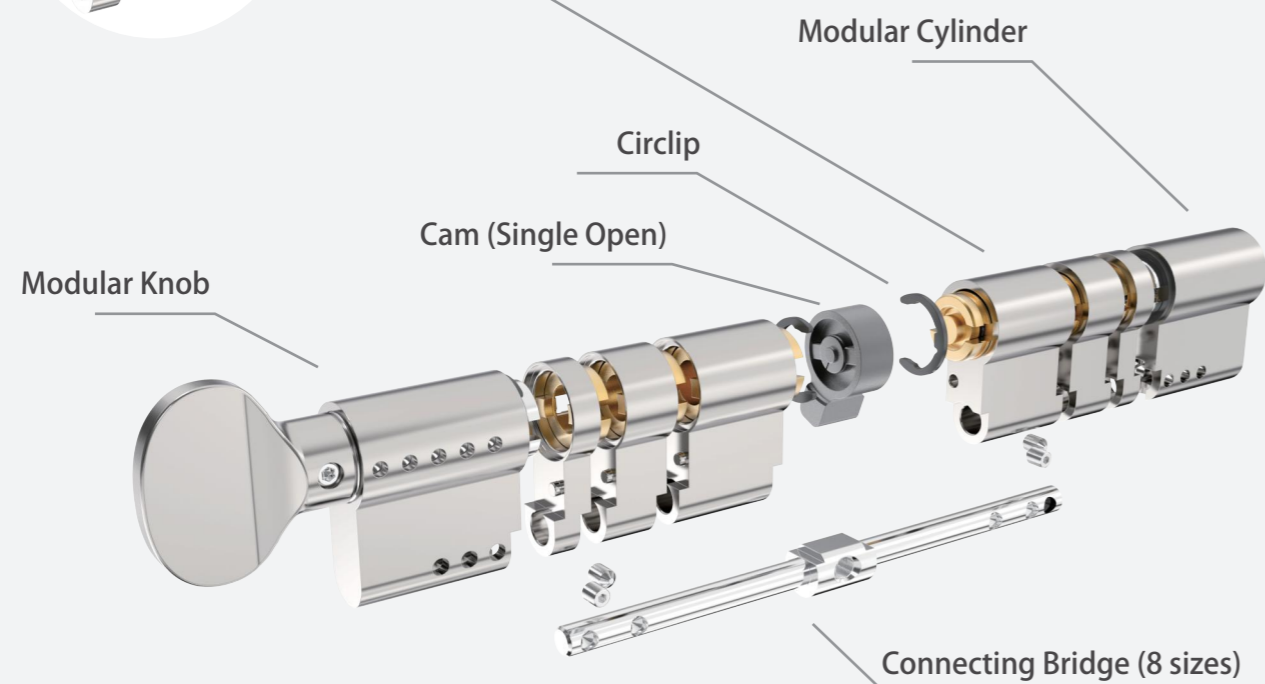
Half cylinder connecting bridge	
36,50	51,50
	
Available assembling length	Available assembling length
10+33=43MM	10+33+15=58MM
10+33+5=48MM	10+33+20=63MM
10+33+10=53MM	10+33+25=68MM
10+33+15=58MM	10+33+30=73MM

# S1 / S2

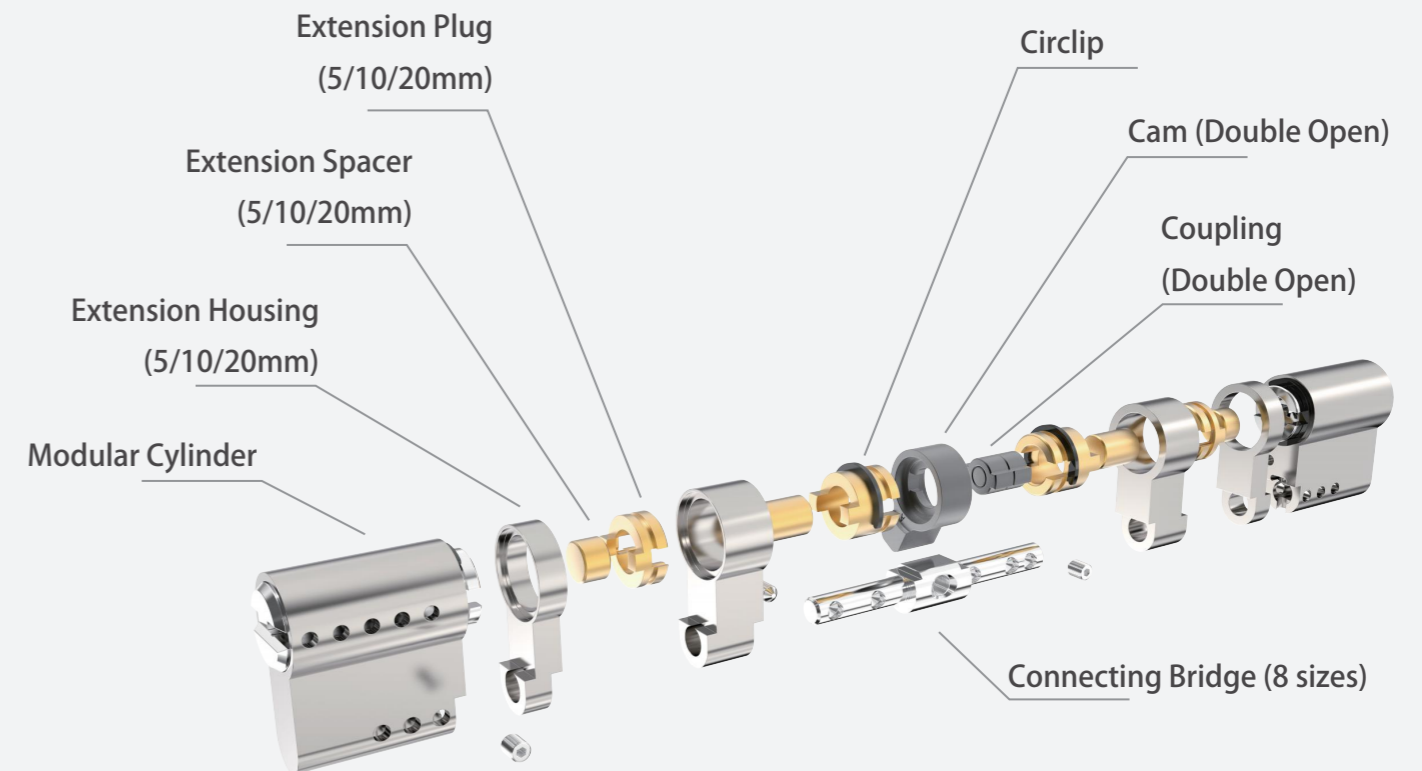
## ALL THE ACCESSORIES FOR MODULAR CYLINDERS



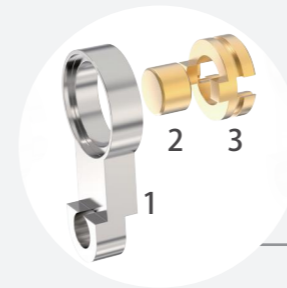
- 1. Extension Housing (5/10/20mm)
- 2. Extension Spacer (5/10/20mm)
- 3. Extension Plug (5/10/20mm)



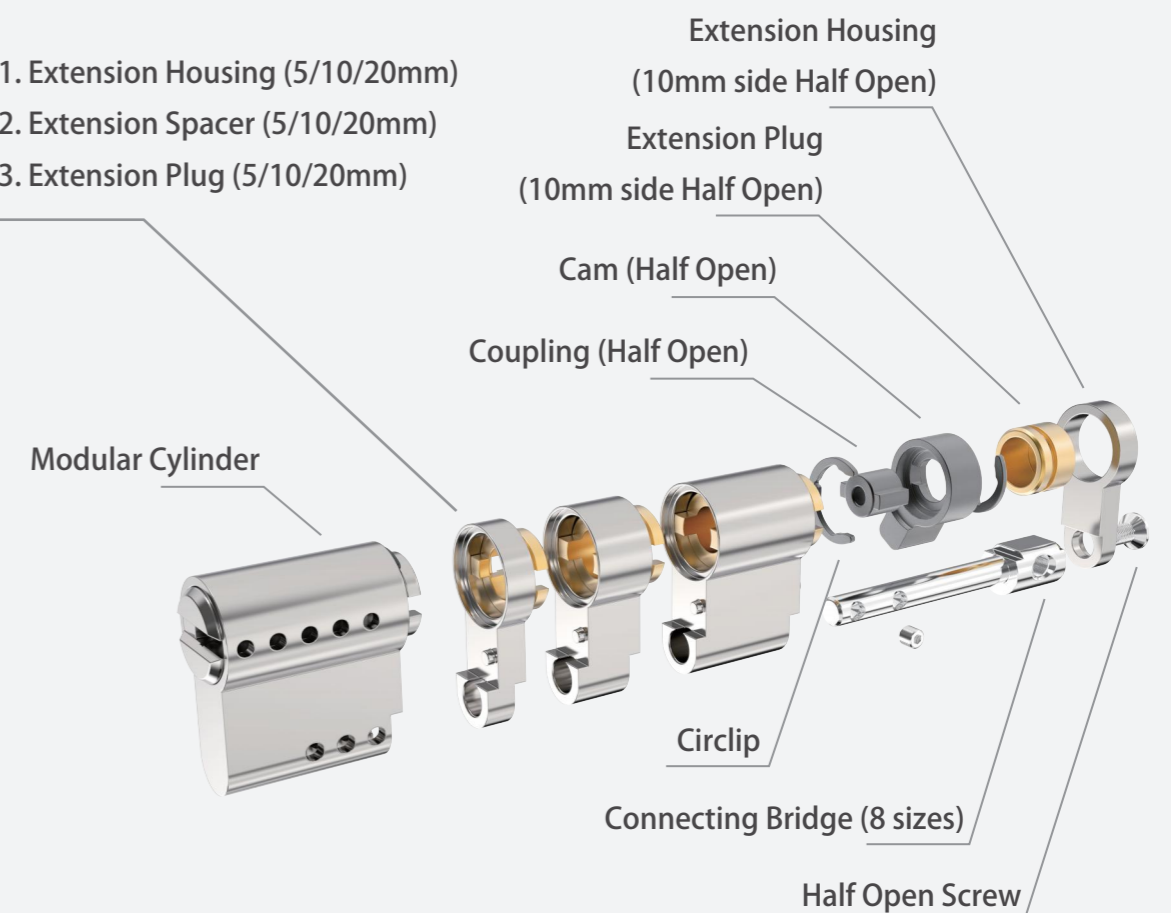
**Single Open**



**Double Open**



- 1. Extension Housing (5/10/20mm)
- 2. Extension Spacer (5/10/20mm)
- 3. Extension Plug (5/10/20mm)



**Half Open**

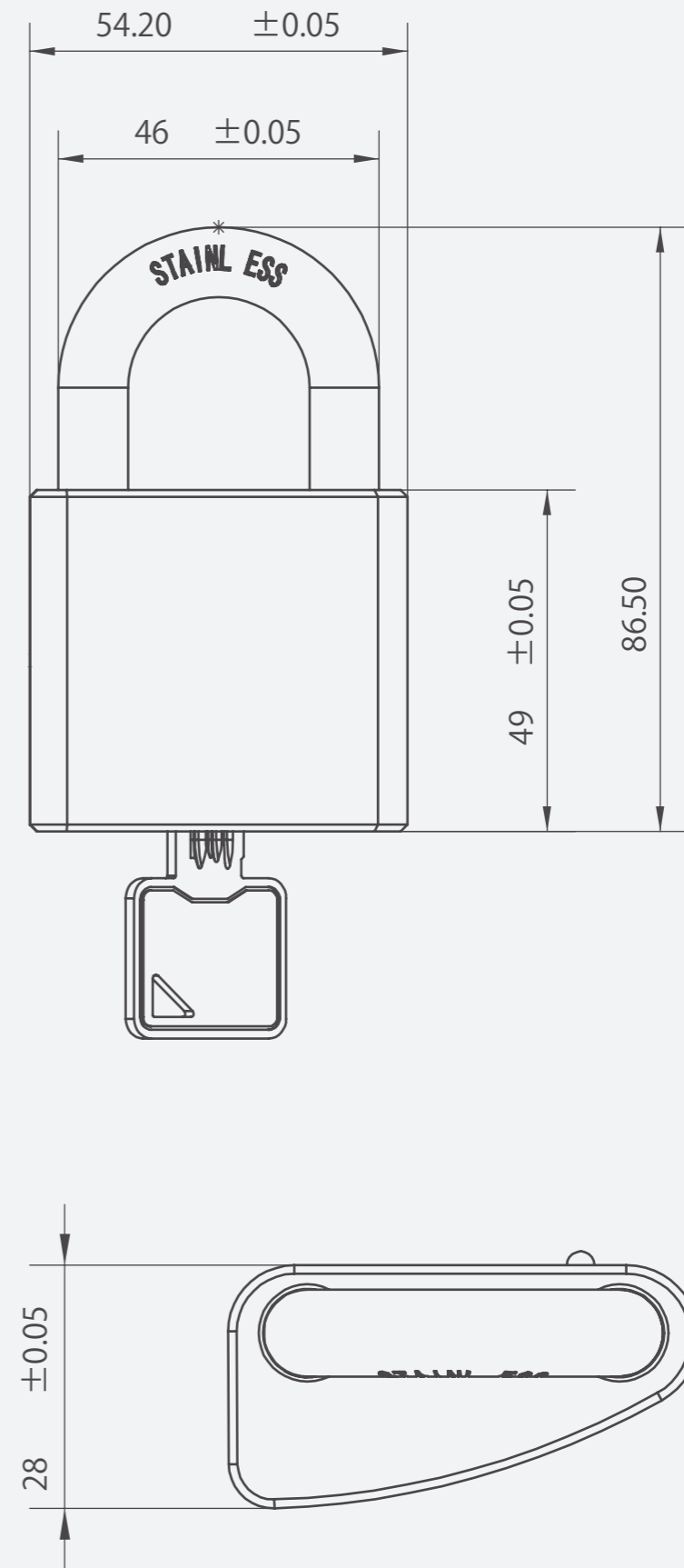
# Padlock-1

## ADJUSTABLE CAM HALF CYLINDER WITH EUROPEAN PROFILE BRASS PADLOCK

- Hardened steel shackle, brass lock body.
- Adjustable cam European profile half cylinder 30/10mm or 35/10mm.
- Available for making Master Key and Key Aliked system with European profile cylinder.



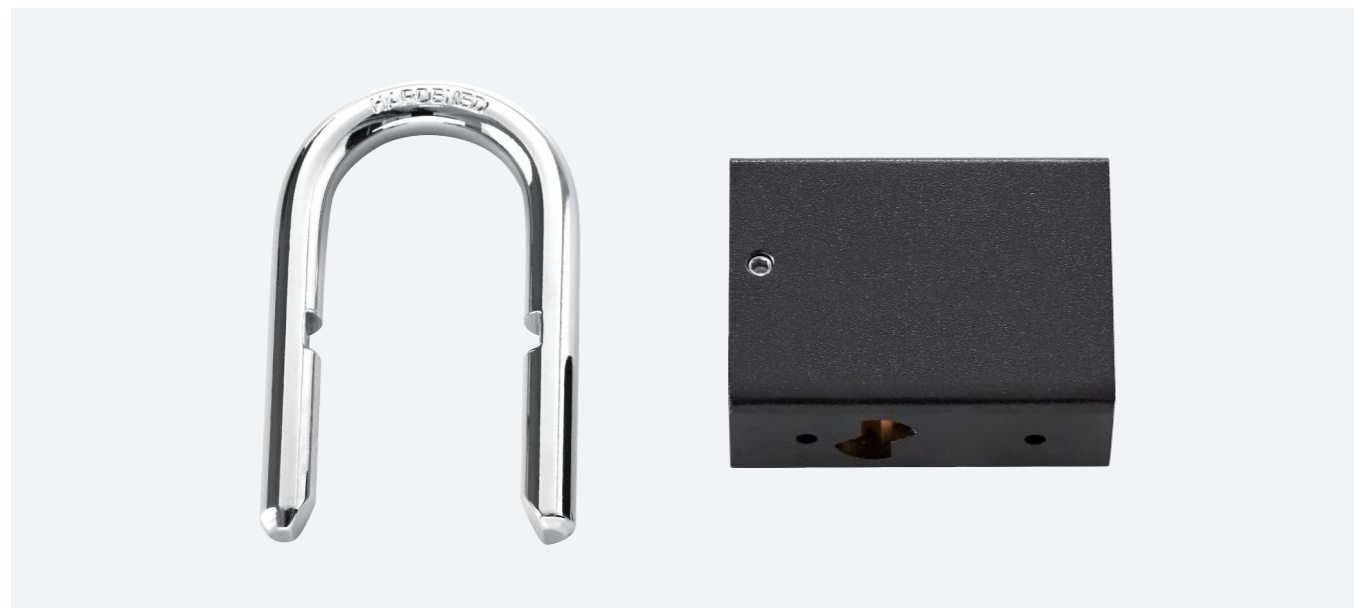
# Padlock-1



# Padlock-2

## SECURITY HARDENED STEEL PADLOCK LOCK WITH SECURITY LOCK CYLINDER

- Available for making master key system with European profile cylinder.
- Hardened steel material body, and anti-saw steel material shackle.
- Black painting finish.





# LK13

## DIMPLE KEY 7 PIN LOCK CYLINDER

- Customize different keyways to protect your profits.
- Easy to make key duplicate.
- Precision lock cylinder, you can assemble complete cylinders locally with just parts.
- Customize your logo on the product and packing.
- Available for making master key system.
- Available with key code card.
- Customize to pass security cylinder certificate.
- Optional to make modular system.
- Optional double-entry function.





## LK16 / LK17

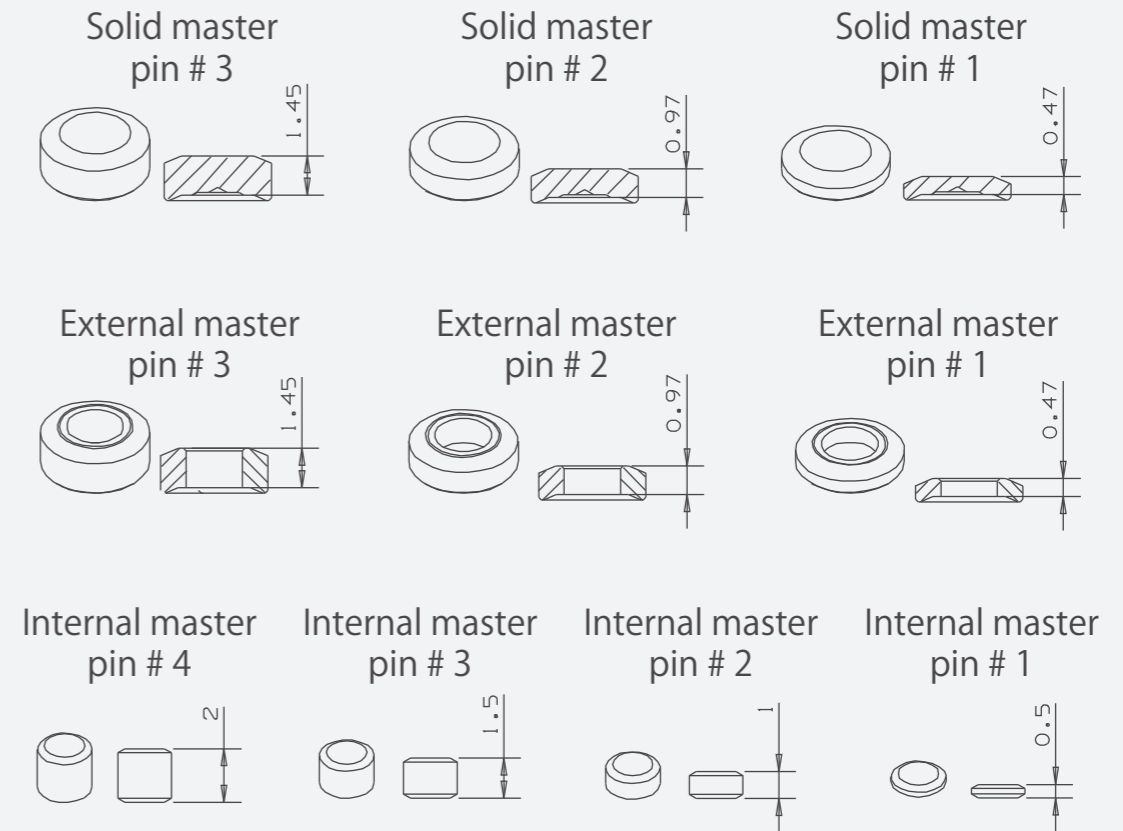
### TELESCOPIC PIN LOCK CYLINDER WITH MOVE ELEMENT

- Customize different keyways to protect your profits.
- Easy to make key duplicate.
- Different security features to increase the security levels.
- Precision lock cylinder, you can assemble complete cylinders locally with just parts.
- Customize your logo on the product and packing.
- Available for making master key system.
- Available with key code card.
- Customize to pass security cylinder certificate.
- Optional to make modular system.
- Optional double-entry function.

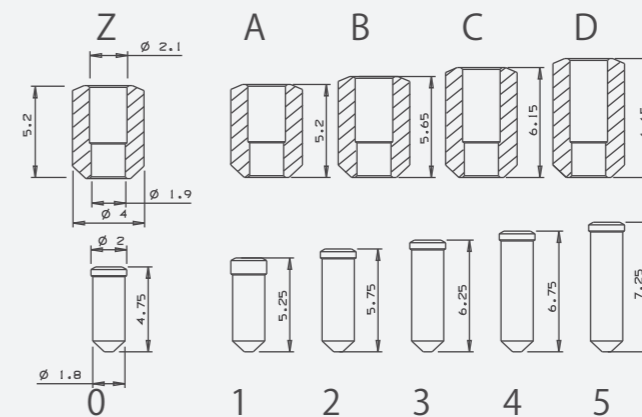
# TELESCOPIC PIN CYLINDER COMPONENTS




# MASTER PINS (Unit: MM)

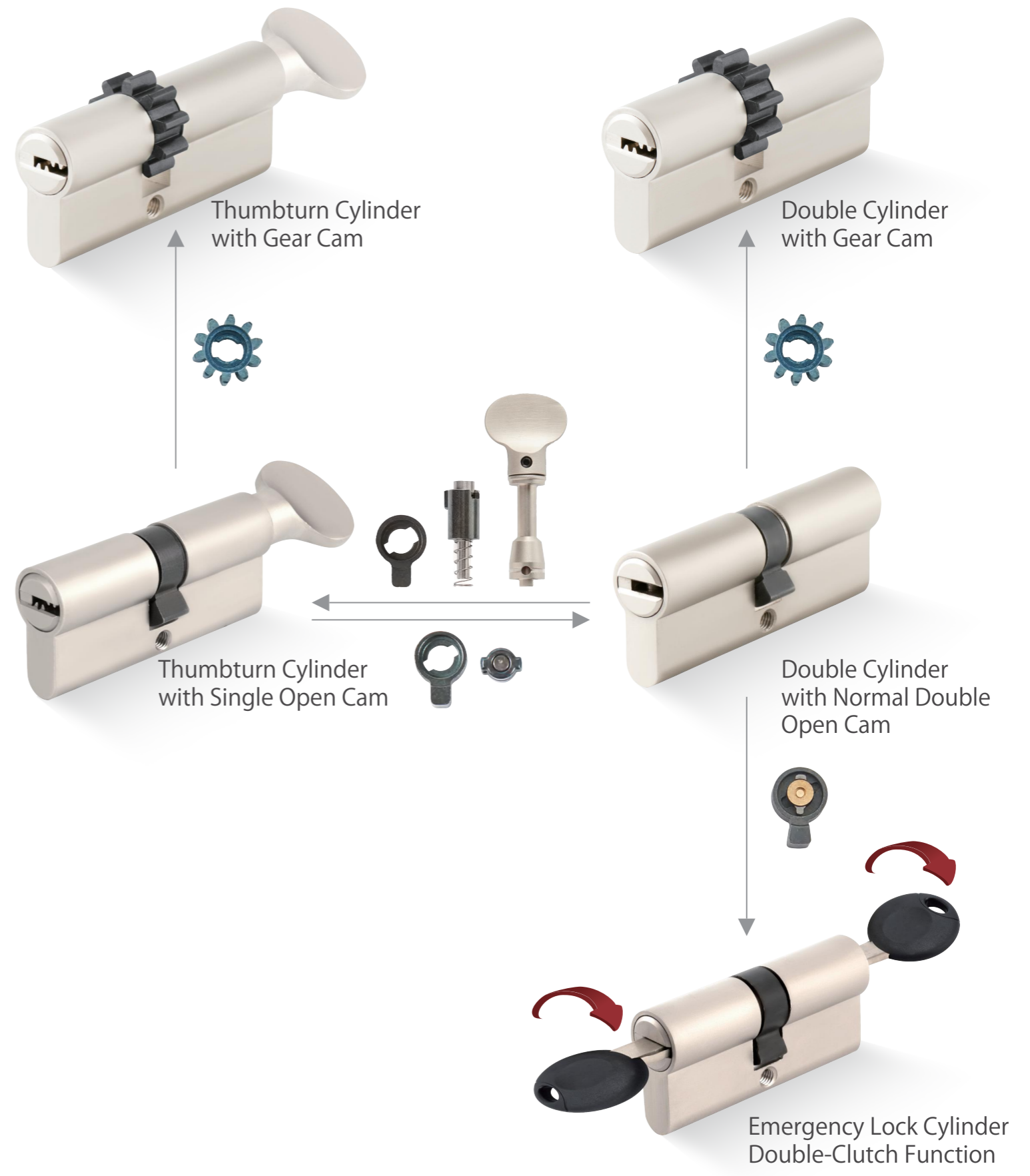


# TELESCOPIC KEY PINS (Unit: MM)



# DIFFERENT ACCESSORIES FOR DIFFERENT FUNCTIONS

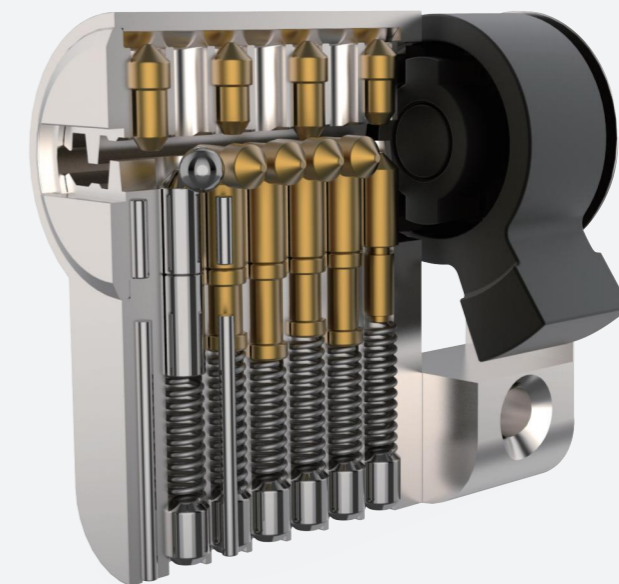
-  10-tooth gear cam
-  Thumbturn single open normal cam
-  Thumbturn clutch
-  Thumbturn + thumbturn plug
-  Double open normal clutch
-  Double open normal cam
-  Emergency double clutch



# LK30

## ACTIVE PINS AND PASSIVE PINS SECURITY CYLINDER WITH SIDE PINS

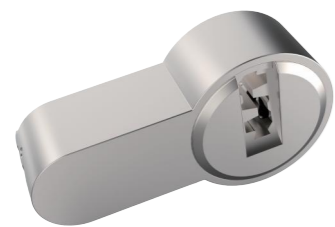
- Customize different keyways to protect your profits.
- Easy to make key duplicate.
- Anti-bumping, anti-drilling features.
- Precision lock cylinder, you can assemble complete cylinders locally with just parts.
- Customize your logo on the product and packing.
- Available for making master key system.
- Available with key code card.
- Customize to pass security cylinder certificate.
- Optional to make modular system.
- Optional double-entry function.



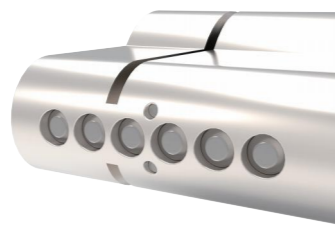
# LK31 / LK32

## ACTIVE PINS AND PASSIVE PINS SECURITY CYLINDER

- Customize different keyways to protect your profits.
- Easy to make key duplicate.
- Anti-bumping, anti-drilling, anti-breaking features.
- Precision lock cylinder, you can assemble complete cylinders locally with just parts.
- Customize your logo on the product and packing.
- Available for making master key system.
- Available with key code card.
- Customize to pass security cylinder certificate.
- Optional to make modular system.
- Optional double-entry function.



Sacrificial Cut Anti-snap

Anti-Drill Protection  
After Snapping

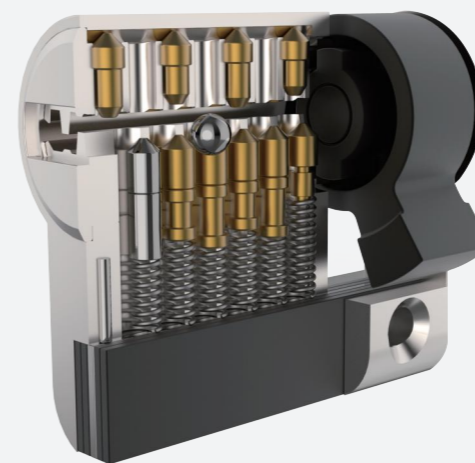
Anti-Break Protection



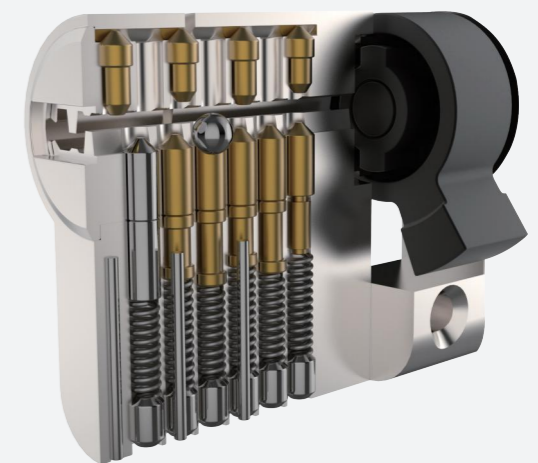
LK31



LK32



LK31



LK32



## LK33

### ACTIVE PINS AND PASSIVE PINS SECURITY CYLINDER

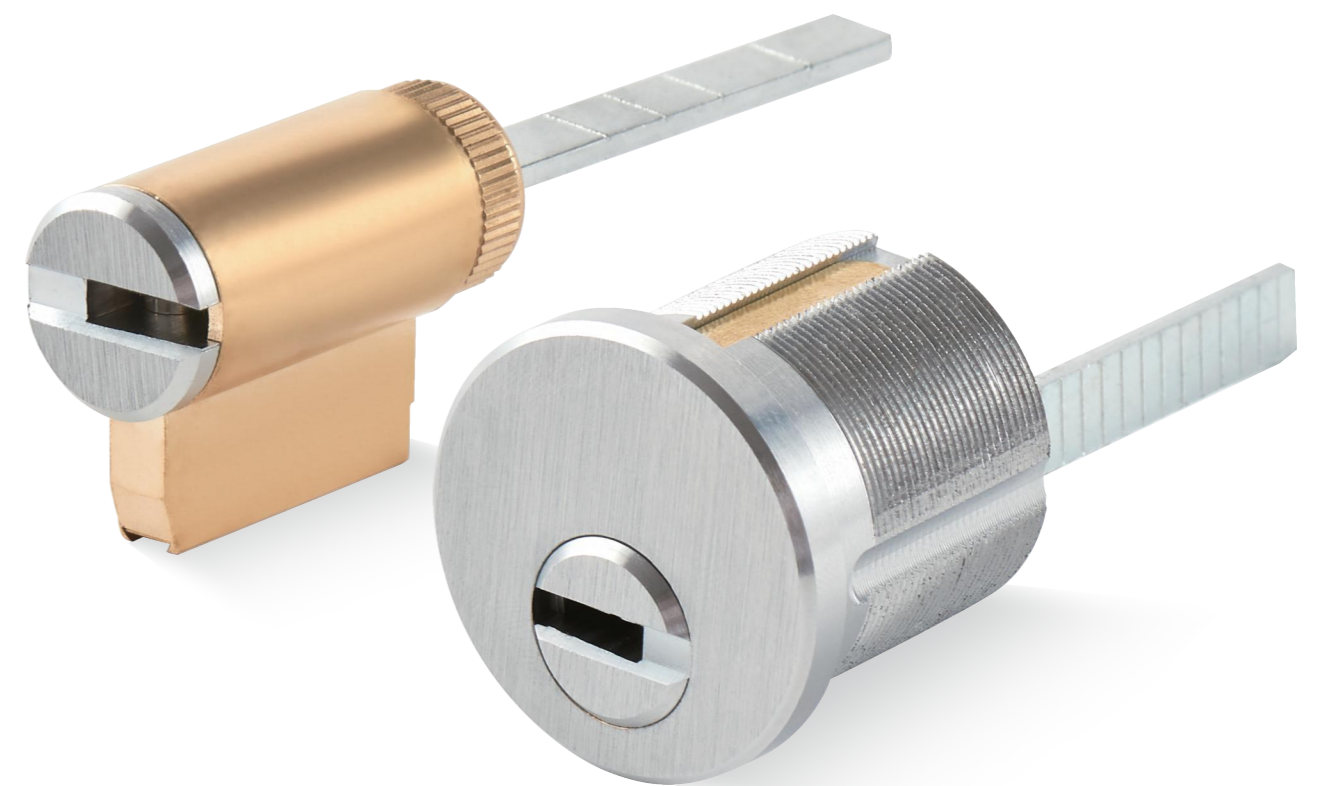
- Customize different keyways to protect your profits.
- Easy to make key duplicate.
- Anti-bumping, anti-drilling, anti-breaking features.
- Precision lock cylinder, you can assemble complete cylinders locally with just parts.
- Customize your logo on the product and packing.

- Available for making master key system.
- Available with key code card.
- Customize to pass security cylinder certificate.
- Optional to make modular system.
- Optional double-entry function.

## EOS SECURE 2023 CATALOGUE

Patent Security Lock Cylinders  
Locking System Lock Cylinders  
**MANUFACTURER**

## AMERICAN STANDARD LOCK CYLINDERS



**Company:** Zhongshan City EOS Secure Products Co., Ltd.

**Email:** winny@eos-secure.com

**Mobile:** +86 -13420436003

**Add:** No.29 Ronghua South Road, Xiaolan Town,  
Zhongshan City, Guangdong Province, China





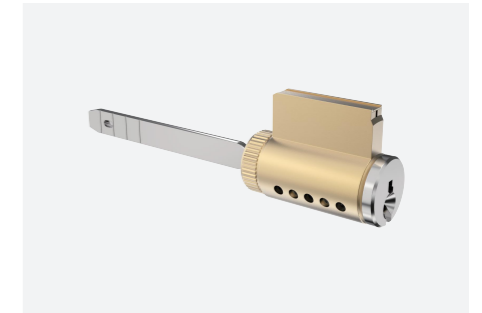
# AMERICAN STANDARD LOCK CYLINDERS

Patent Security Lock Cylinders  
Locking System Lock Cylinders  
**MANUFACTURER**



**A1**

Mortise Cylinder with Side Pins



**A2**

KIK Cylinder with Side Pins



**LK20**

Telescopic Pin Lock Cylinder  
with Move Element



**LK23**

Telescopic Pin Lock Cylinder  
with Move Element



**LK26**

Telescopic Pin Lock Cylinder  
with Move Element



**LK29**

Telescopic Pin Lock Cylinder  
with Move Element

MORE

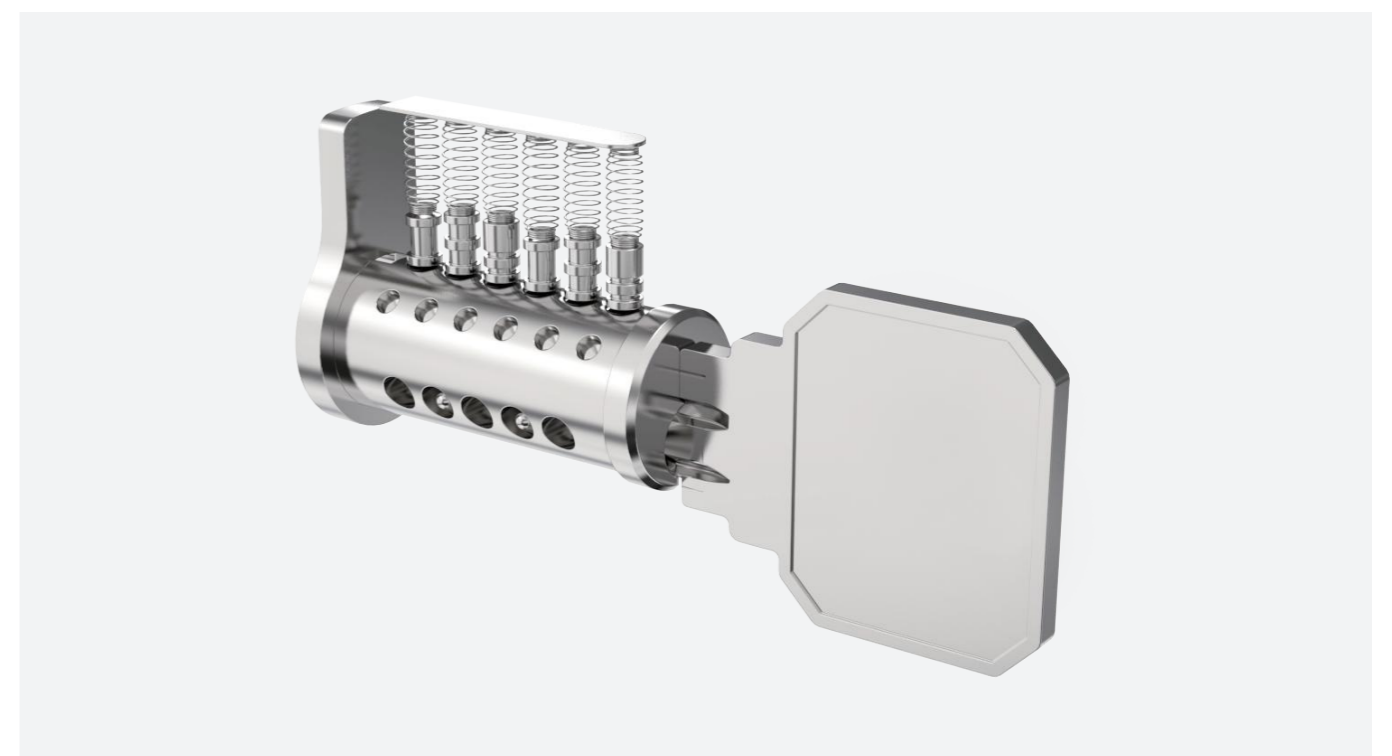
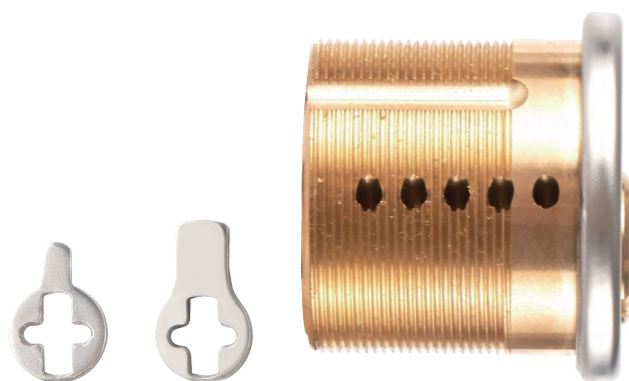
American Standard Lock Cylinder  
Small Format Interchangeable Core (SFIC)

# A1

**NEW!**

## MORTISE CYLINDER WITH SIDE PINS

- Customize different keyways to protect your profits.
- Easy to make key duplicate.
- Precision lock cylinder, you can assemble complete cylinders locally with just parts.
- Customize your logo on the product and packing.
- Available for making master key system.

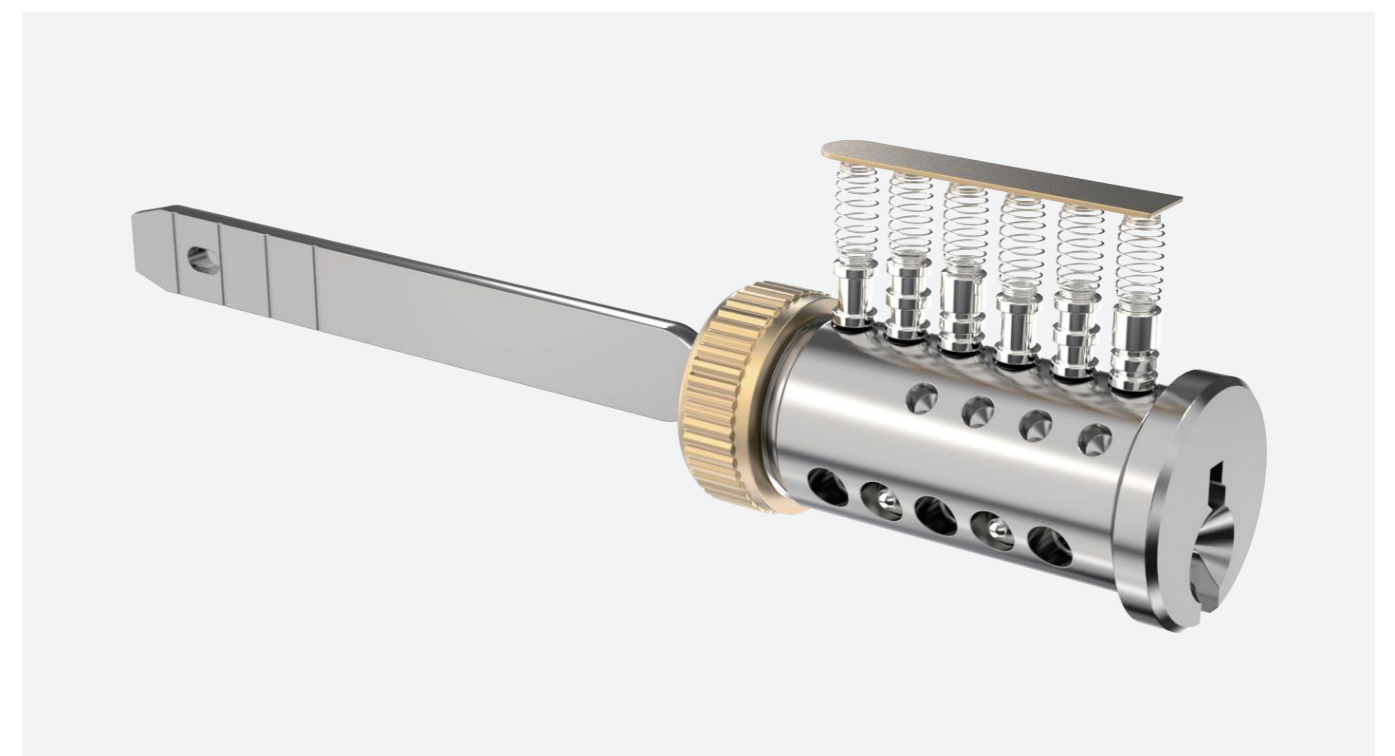
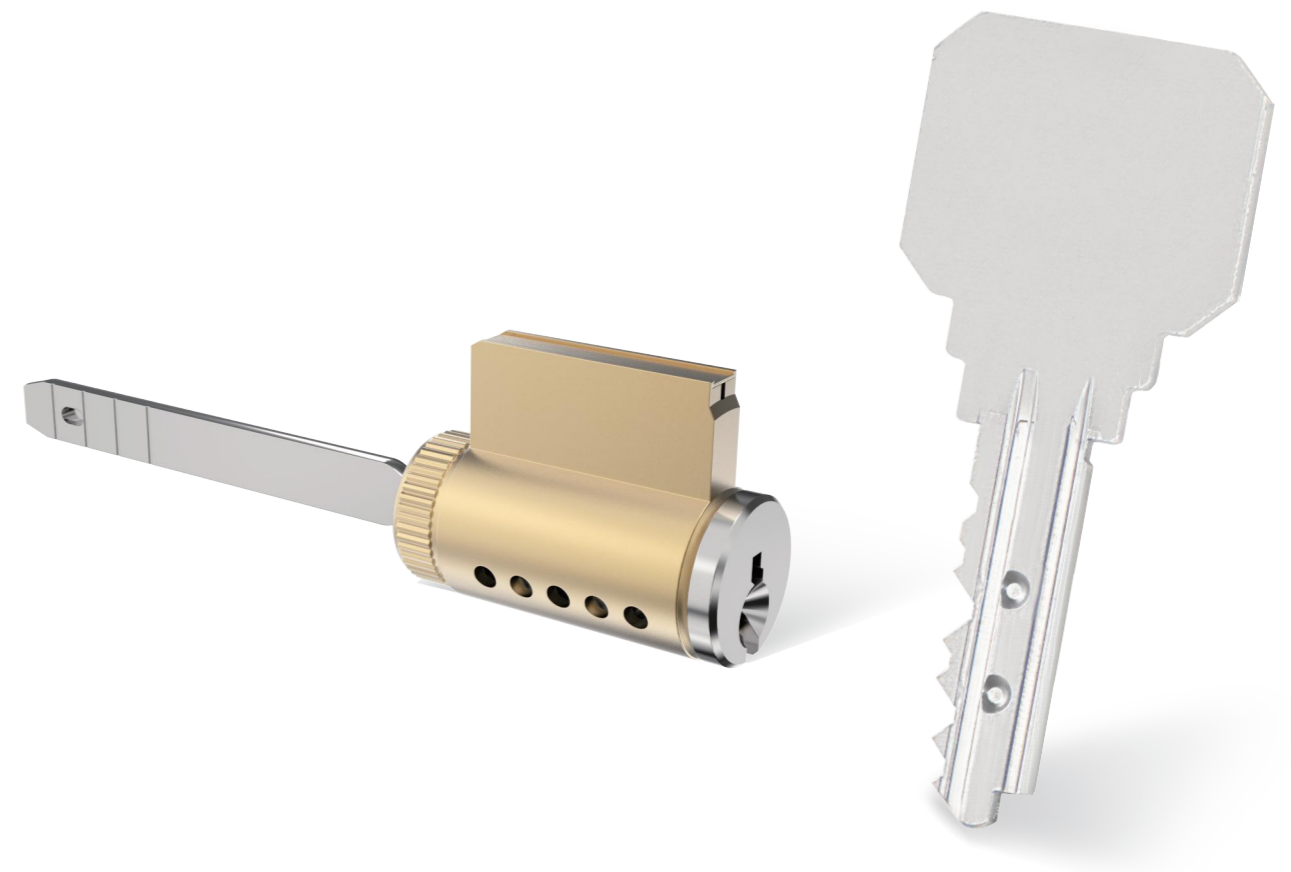


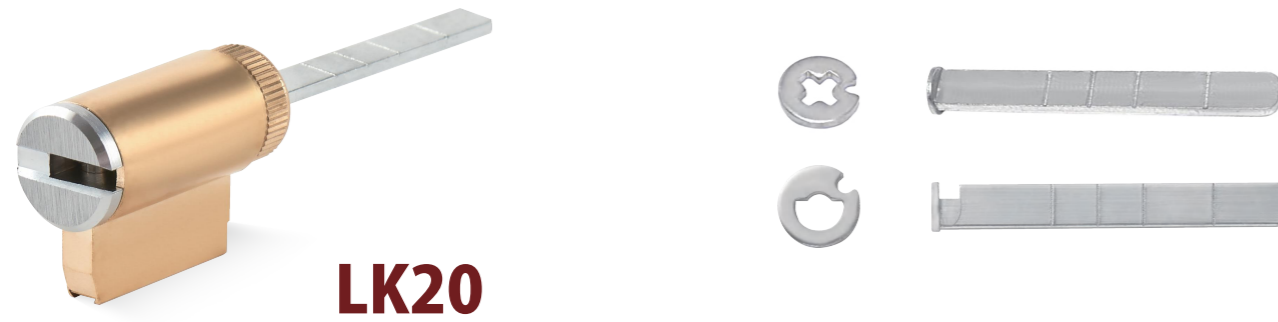
# A2

**NEW!**

## KIK CYLINDER WITH SIDE PINS

- Customize different keyways to protect your profits.
- Easy to make key duplicate.
- Precision lock cylinder, you can assemble complete cylinders locally with just parts.
- Customize your logo on the product and packing.
- Available for making master key system.





## TELESCOPIC PIN LOCK CYLINDER WITH MOVE ELEMENT

- Customize different keyways to protect your profits.
- Easy to make key duplicate.
- Suitable for Mortise, KIK, RIM and RIMO cylinder.
- Precision lock cylinder, you can assemble complete cylinders locally with just parts.

- Customize your logo on the product and packing.
- Available for making master key system.
- Available with key code card.



# LK52

## HIGH SECURITY DEADBOLT LOCKSET CYLINDER

- Deadbolt lockset cylinder, double cylinder and single cylinder with thumbturn are available.
- Keys are with side pins to enlarge key combinations.
- Maximum 5-in-1 function.
- Standard 0.1 – 0.15mm gap between rotor and housing.
- Suitable for doing master key system. Offering master pins (3 kinds).
- Key blanks with mobile pins assembled already.
- Standard using #206 key profile. Other key profiles are available.
- Available for different finishes. Plastic key head. Nickel silver keys.
- Optional different cams.



## LK5 MORTISE CYLINDER



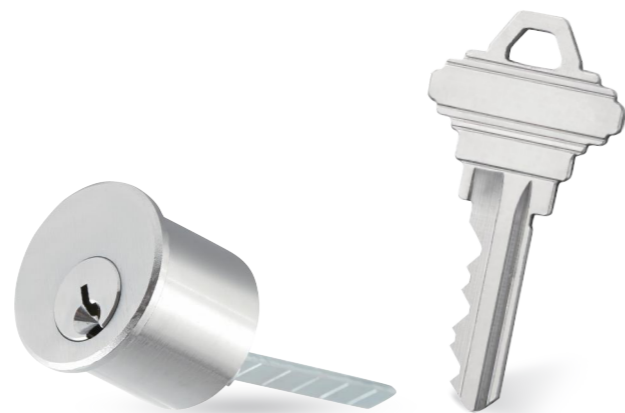
UL CAM ADAM -1



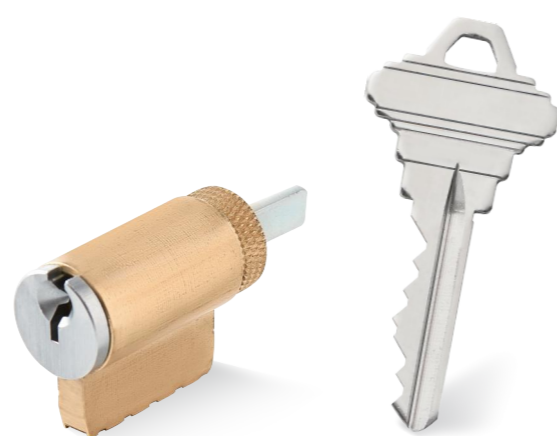
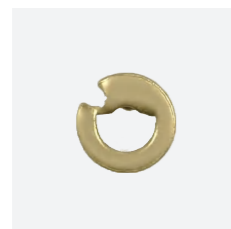
UL CAM YALE -2



## LK6 RIM CYLINDER



## LK8 KIK CYLINDER



## LK5 / LK6 / LK8

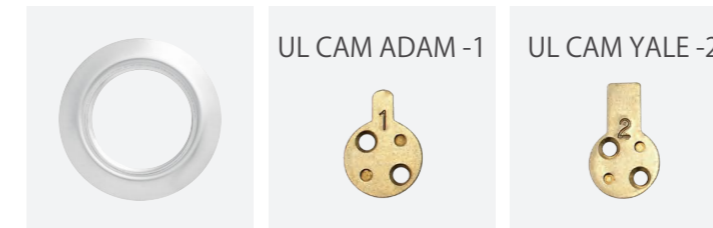
### AMERICAN STANDARD LOCK CYLINDER

- Standard SC1 or KW1 keyway.
- Customize different keyways to protect your profits.
- Easy to make key duplicate.
- Suitable for Mortise, KIK, RIM and RIMO cylinder.
- Precision lock cylinder, you can assemble complete cylinders locally with just parts.
- Customize your logo on the product and packing.
- Available for making master key system.

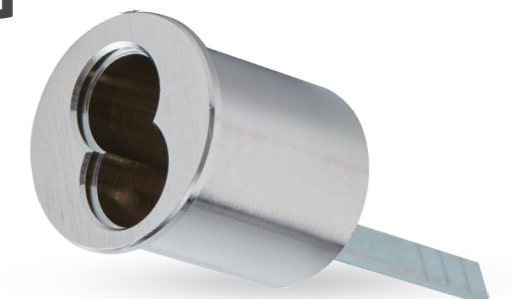
## LK9 SFIC (SMALL FORMAT INTERCHANGEABLE CORE)



## LK10 SFIC MORTISE HOUSING



## LK11 SFIC RIM HOUSING



# LK9 / LK10 / LK11

## SMALL FORMAT INTERCHANGEABLE CORE (SFIC)

- Standard BEST A keyway. Standard BEST A-2 system pins.
- Customize different keyways.
- Easy to make key duplicate.
- Suitable for Mortise, KIK, RIM and RIMO cylinder housings.
- Precision lock cylinder, you can assemble complete cylinders locally with just parts.
- Customize your logo on the product and packing.
- Available for making master key system.

## EOS SECURE 2023 CATALOGUE

Patent Security Lock Cylinders  
Locking System Lock Cylinders  
**MANUFACTURER**

### NORMAL KEY CYLINDERS



**Company:** Zhongshan City EOS Secure Products Co., Ltd.

**Email:** winny@eos-secure.com

**Mobile:** +86 -13420436003

**Add:** No.29 Ronghua South Road, Xiaolan Town,  
Zhongshan City, Guangdong Province, China



[www.eos-secure.com](http://www.eos-secure.com)



# NORMAL KEY CYLINDERS

Patent Security Lock Cylinders  
Locking System Lock Cylinders  
**MANUFACTURER**



## LK2-1

Anti-Pick Keyway Cylinder  
with Side Pins



## LK3

Anti-Pick Keyway Cylinder  
with Side Pins



## LK1

Thumbturn (knob) Cylinder



## LK1

Double Sided Key Cylinder



## LK1

Half Cylinder With Key



## LK1

Half Cylinder With Thumbturn

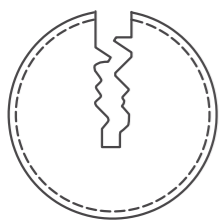
MORE

Privacy Cylinder

# LK2-1

## ANTI-PICK KEYWAY CYLINDER WITH SIDE PINS

- Customize different keyways to protect your profits.
- Easy to make key duplicate.
- Precision lock cylinder, you can assemble complete cylinders locally with just parts.
- Customize your logo on the product and packing.
- Available for making master key system.
- Available with key code card.
- Optional to make modular system.
- Optional double-entry function.



Anti Pick Keyway

# LK3

## ANTI-PICK KEYWAY CYLINDER WITH SIDE PINS

- Customize different keyways to protect your profits.
- Easy to make key duplicate.
- Precision lock cylinder, you can assemble complete cylinders locally with just parts.
- Customize your logo on the product and packing.
- Available for making master key system.
- Available with key code card.
- Optional to make modular system.
- Optional double-entry function.



Anti Pick Keyway

**LK1**

## MASTER KEY SYSTEM LOCK CYLINER

- Standard Yale Keyway.
- Customize different keyways to protect your profits.
- Easy to make key duplicate.
- Precision lock cylinder, you can assemble complete cylinders locally with just parts.
- Customize your logo on the product and packing.
- Customize any lengths for your project.
- Customize any finishes for your project.
- Low MOQ to help you win the project.
- Available for making master key system.



Thumbturn (knob) cylinder



Half cylinder with thumbturn



Double sided key cylinder



Privacy cylinder



Half cylinder with key



**Company:** Zhongshan City EOS Secure Products Co., Ltd.

**Email:** winny@eos-secure.com

**Mobile:** +86 -13420436003

**Add:** No.29 Ronghua South Road, Xiaolan Town,  
Zhongshan City, Guangdong Province, China



## EOS SECURE 2023 CATALOGUE

Patent Security Lock Cylinders  
Locking System Lock Cylinders  
**MANUFACTURER**

### OTHER CYLINDERS



# OTHER CYLINDERS

Patent Security Lock Cylinders  
Locking System Lock Cylinders  
**MANUFACTURER**



## LK46

Scandinavian Round  
Lock Cylinder



## LK47

Scandinavian Round  
Lock Cylinder



## LK35

Scandinavian Oval Lock Cylinder



## LK35-3

Scandinavian Oval Lock Cylinder



## LK34

Scandinavian Oval Lock Cylinder



## LK35-1

Scandinavian Oval Lock Cylinder

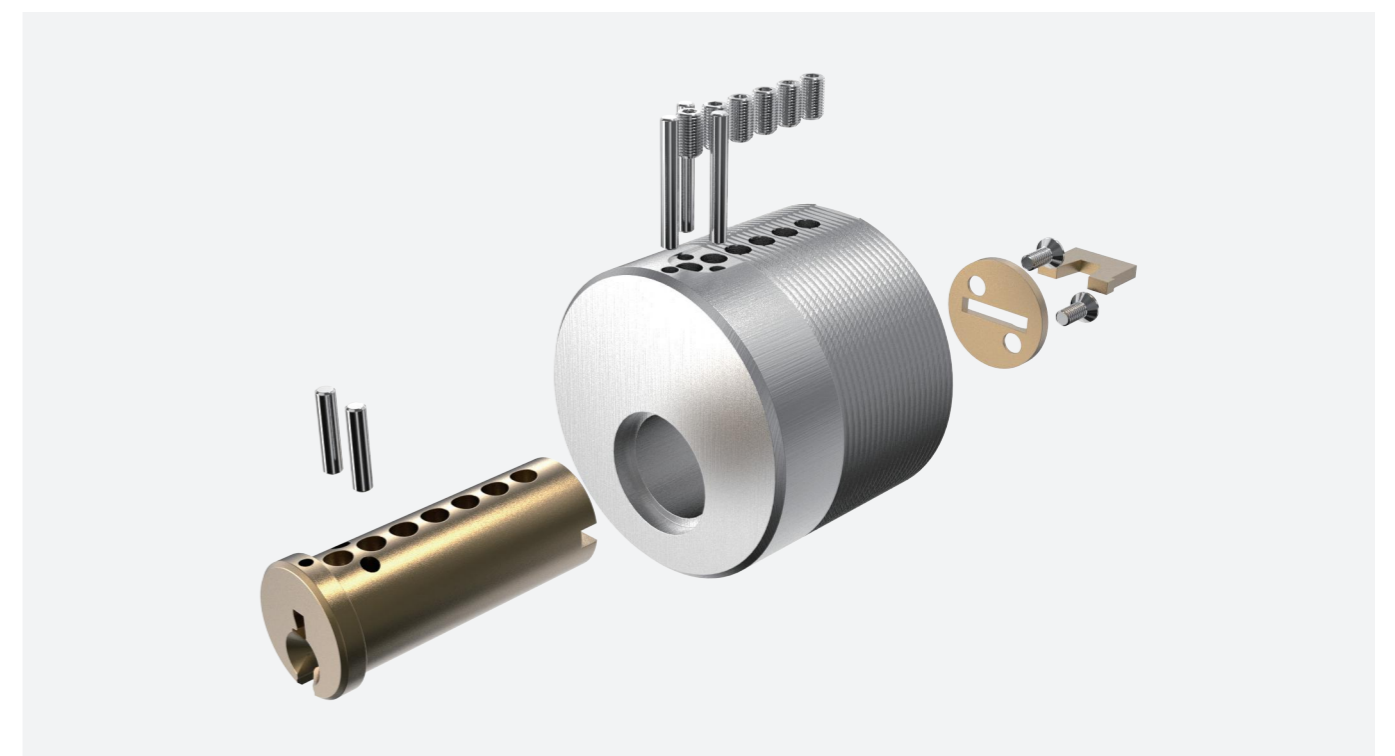
MORE

Australian Oval Cylinder  
Screen Door Cylinder

# LK46 / LK47

## SCANDINAVIAN ROUND LOCK CYLINDER

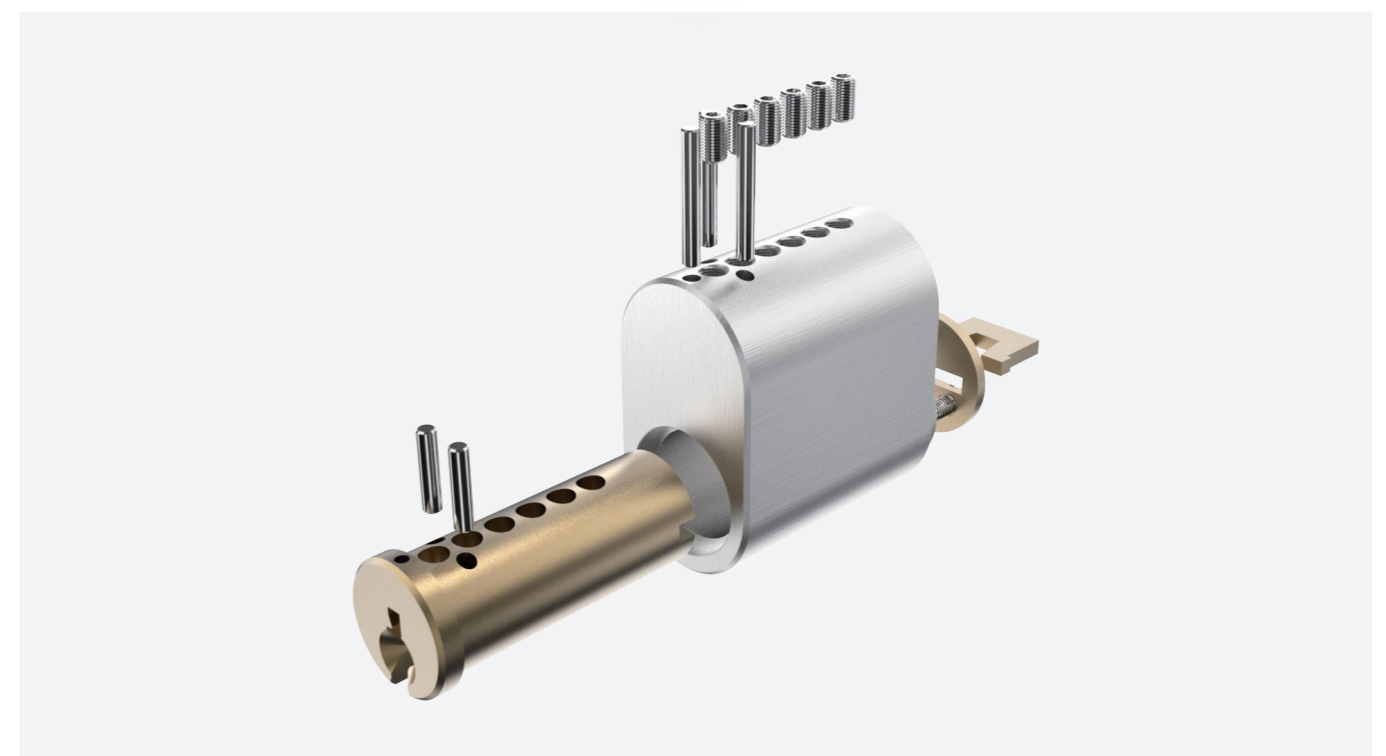
- Using standard TV-3D key profile and key blank.
- Optional protected key profile and security card.
- Standard cylinder for the module series.
- Anti pick driver pins and anti drilling pins on the plug and housing.
- 3 Brass or silver nickel key.
- Optional Allen screw seal pin.



# LK35 / LK35-3

## SCANDINAVIAN OVAL LOCK CYLINDER

- Using standard TV-3D key profile, key blank and sleeve ring.
- Optional protected key profile and security card.
- Standard cylinder for the module series.
- Anti pick driver pins and anti drilling pins on the plug and housing.
- 3 Brass or silver nickel key.
- Optional Allen screw seal pin.

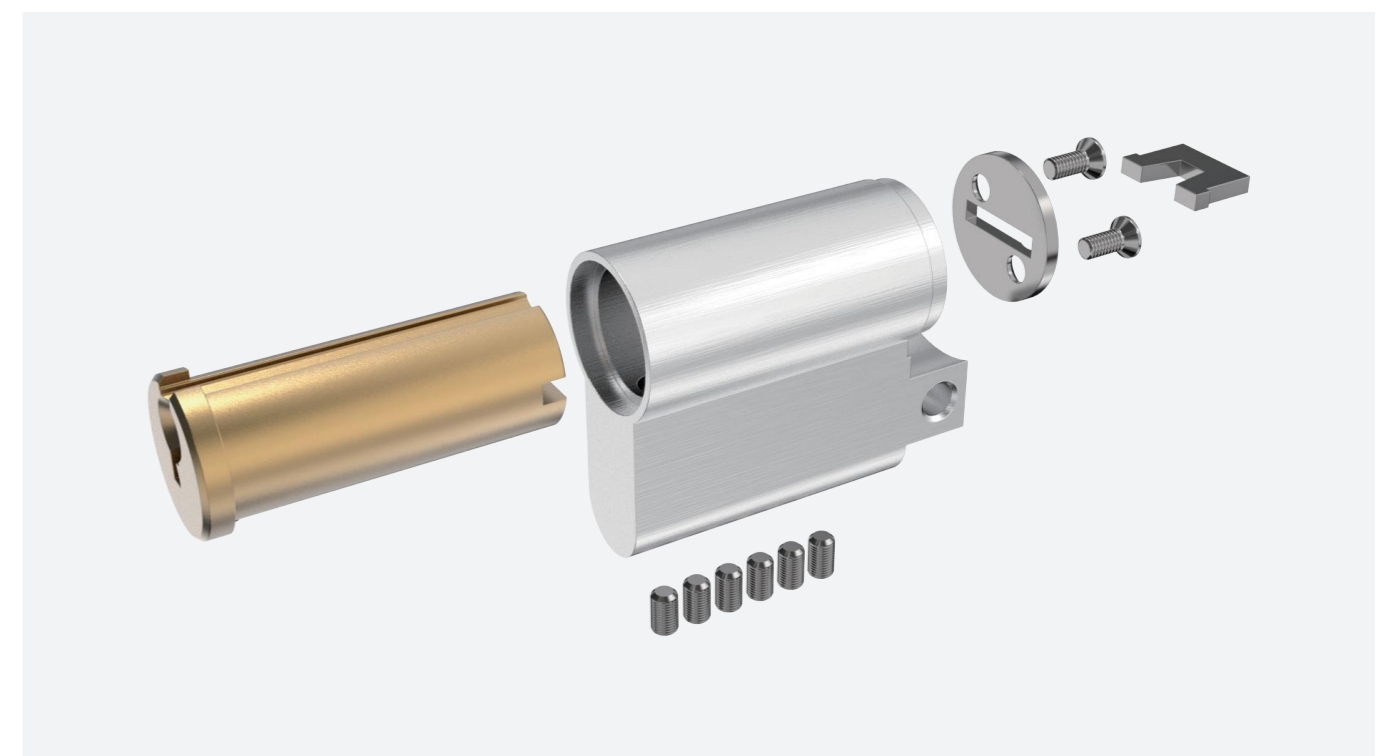




# LK34

## SCANDINAVIAN OVAL LOCK CYLINDER

- Using standard TV-3D key profile and key blank.
- Optional protected key profile and security card.
- Standard cylinder for the module series.
- Anti pick driver pins and anti drilling pins on the plug and housing.
- 3 Brass or silver nickel key.
- Optional Allen screw seal pin.



# LK35-1 / LK35-2

## SCANDINAVIAN OVAL LOCK CYLINDER

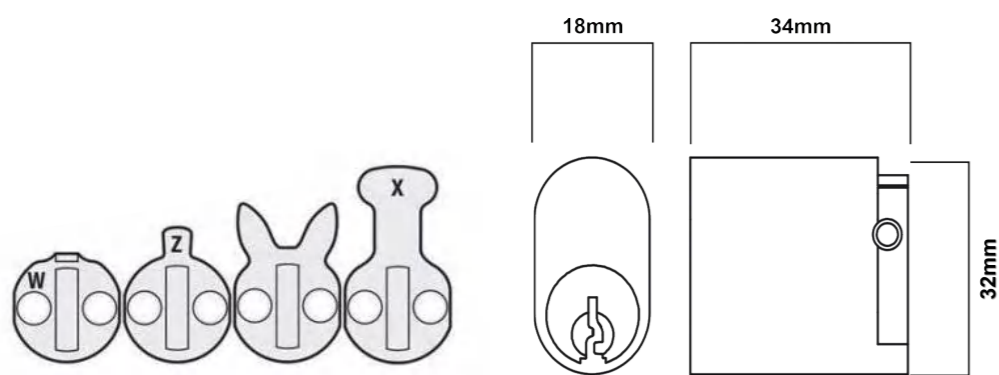
- Using standard AS-HH7 and RU-5D key profile and key blank.
- Optional protected key profile and security card.
- Standard cylinder for the module series.
- Anti pick driver pins and anti drilling pins on the plug and housing.
- 3 Brass or silver nickel key.
- Optional Allen screw seal pin.



# LK41

## AUSTRALIAN OVAL CYLINDER

- C4 key profile, restricted keyway is optional.
- Optional Satin nickel, Satin chrome or black finish.
- Optional allen screw seal pin for repin or conseal seal pin.
- Construction key and master key systems are available upon request.
- Supplied with the 4 most common cams.



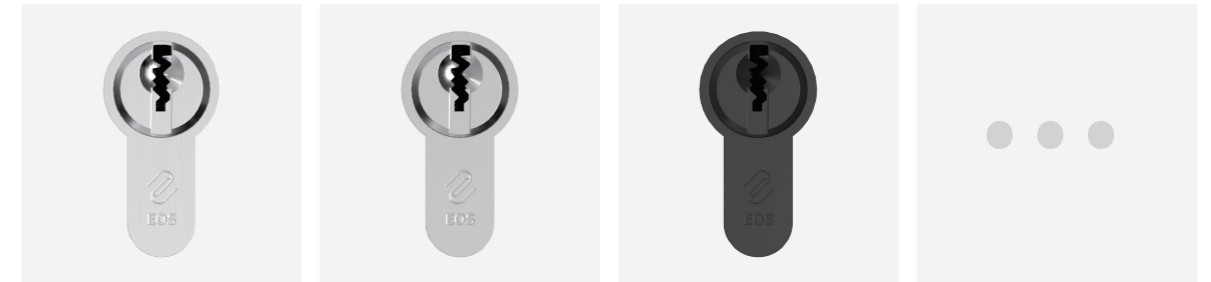
# LK42

## SCREEN DOOR CYLINDER

- Suits most hinged and sliding security door locks.
- Lazy cam.
- Brass barrel and zinc body construction.
- 2 brass keys.
- Polished chrome finish.
- 62.5mm length.
- Removal cap for easy rekeying.

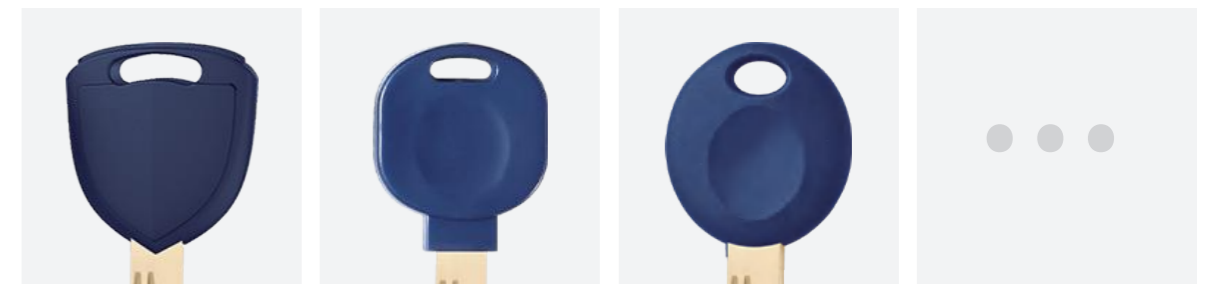


# OTHER FUNCTIONS



## AVAILABLE FINISHES

PC, SC, VN (Vibrated), PN, SN, SBN, PB, SB, PVD, PG, AB BLK



## AVAILABLE PLASTIC KEY HEAD IDEAS

Available Plastic Key Head Ideas

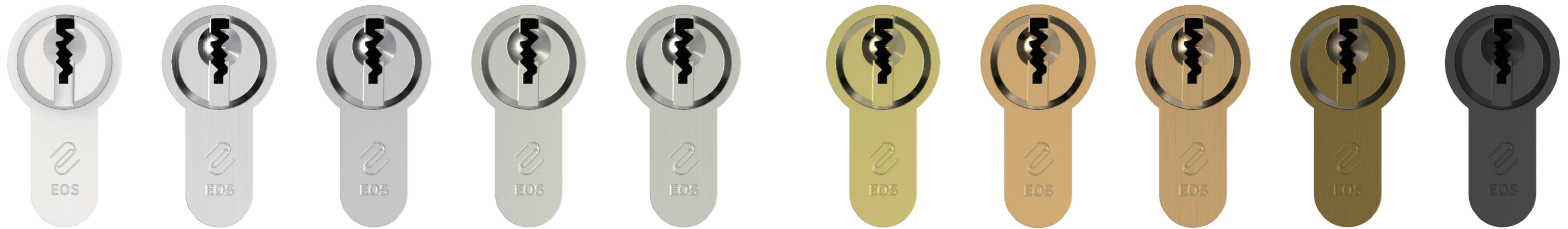


## AVAILABLE FUNCTIONS

Emergency Lock Cylinder, Shaft cylinder

Patent Security Lock Cylinders  
Locking System Lock Cylinders  
**MANUFACTURER**

## AVAILABLE FINISHES



## AVAILABLE PLASTIC KEY HEAD IDEAS

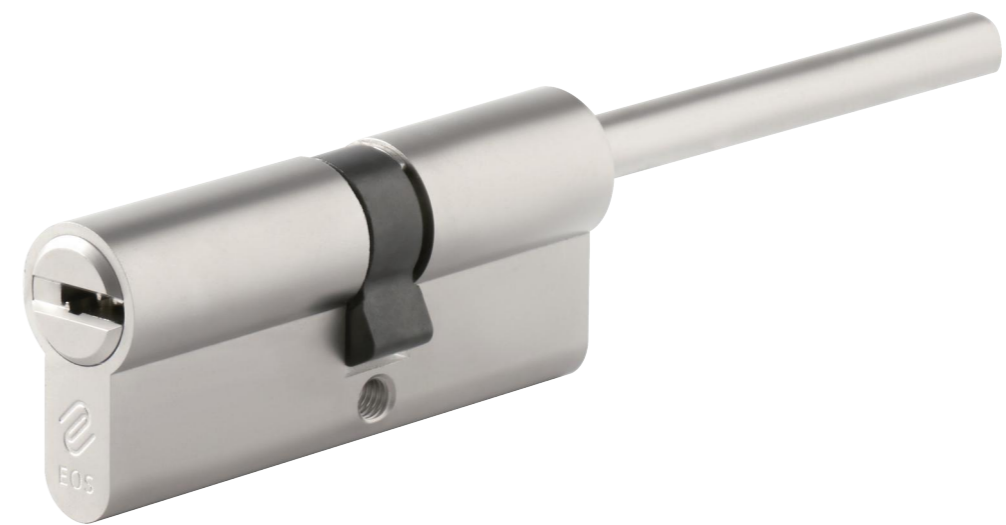


# AVAILABLE FUNCTIONS



## EMERGENCY LOCK CYLINDER

Double-Clutch Function



## SHAFT CYLINDER

Shaft Cylinder