

# CYLINDERS

## SECURITY LOCKING SYSTEM

2022 CATALOGUE



Customization



Quality Assurance



Product Innovation



**EOS SECURE**  
Never Compromise on Security

# CATALOG

---

Company Profile .....	<b>3</b>
Production Line .....	<b>4</b>
Other Automatic Machines and Strict Quality Control Methods .....	<b>7</b>
Experienced R&D Team to Design What You Want .....	<b>8</b>
Certificates .....	<b>9</b>
Normal Key Cylinder .....	<b>10</b>
American Standard Lock Cylinder .....	<b>18</b>
Key pins / Master Key Pins for SFIC / BEST Keyway .....	<b>24</b>
High Security Cylinders .....	<b>28</b>
American Standard Cylinder with telescopic pin structure .....	<b>36</b>
Telescopic Cylinder Systems Components .....	<b>37</b>
Different Accessories for Different Functions .....	<b>38</b>
Active Pins Cylinder with Passive Pins .....	<b>39</b>
Other Products .....	<b>44</b>
Other Functions .....	<b>57</b>



# ABOUT EOS

---

EOS is one of the leading manufacturers for **mechanical lock cylinders**. We started to produce mechanical lock cylinders from 2011. Our cylinder products are widely promoted by **door manufacturers, locksmiths, DIY hardware shops, architectural companies, traditional hardware dealers** and so on.

With over 10 years' industrial experience, we are the professional manufacturer that understands our clients very well. We mainly export the lock cylinders to **Europe, North America, South East Asia, South America, Middle East Area** and so on. Welcome OEM/ODM customers and customers wanted to be our Agent.





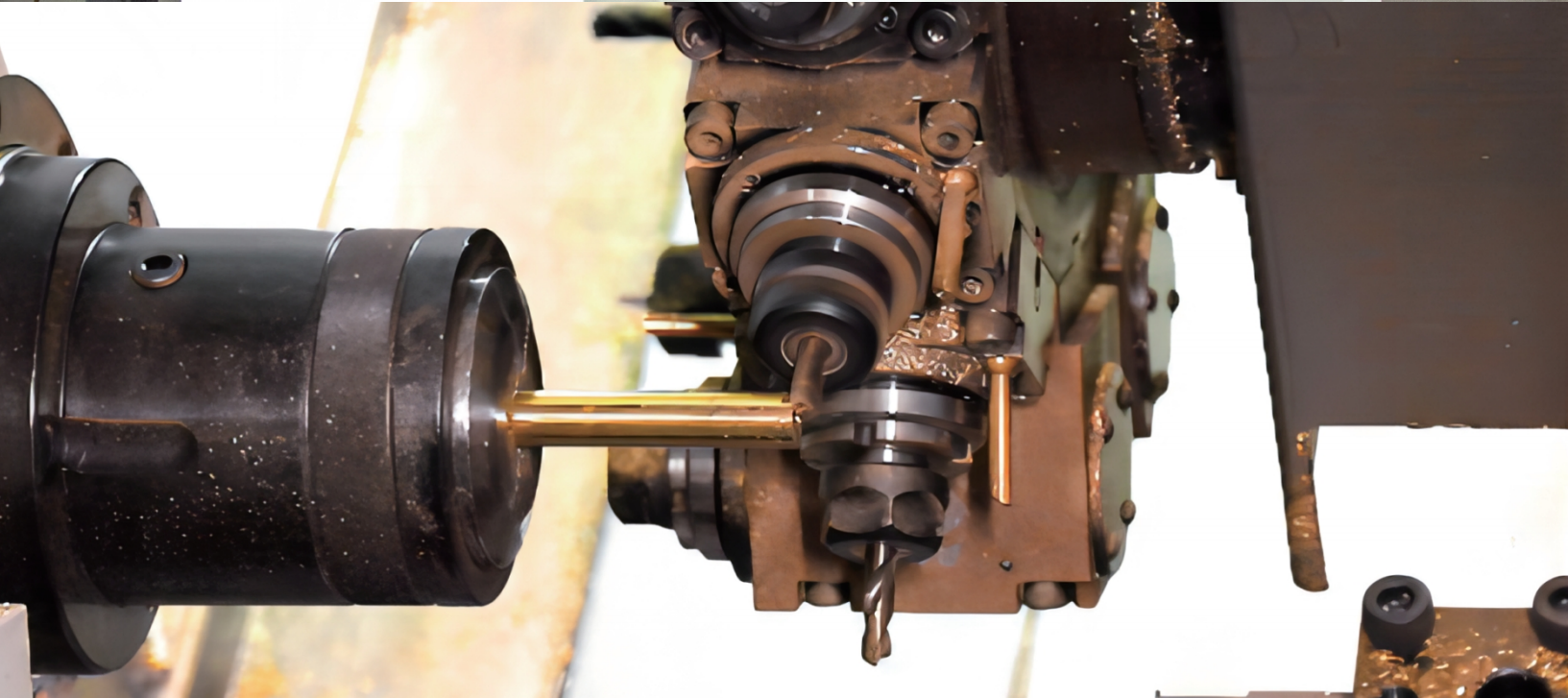


## JAPANESE SWISS-TYPE AUTOMATIC LATHE MACHINE

### Advantages:

- Japanese Brand Tsugami, fast and precise.
- Use on production of high precision cylinders.
- Quick and efficient way to produce samples.





## CNC ADVANCED TURNING AND MILLING MACHINE

### Advantages:

- Finish drilling, milling, lathing at one time.
- Fast and precise machining.
- Quick and efficient way to produce samples.



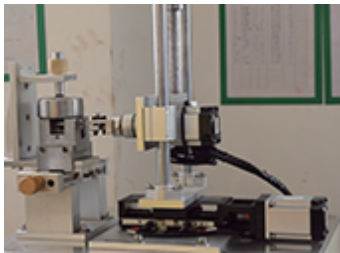
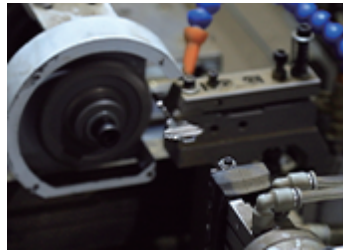
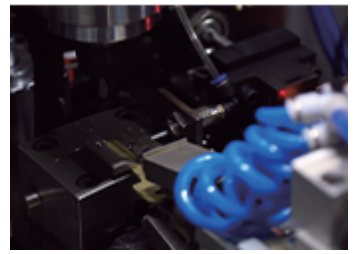
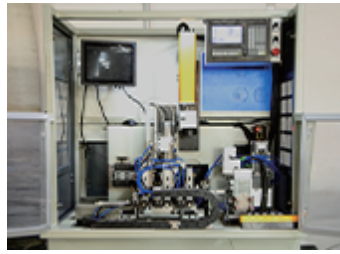
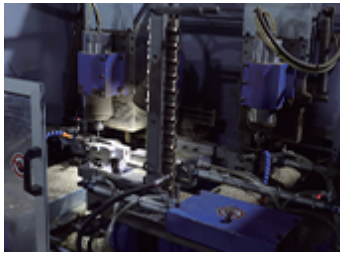


## CNC 4-AXIS MACHINING CENTER

### Advantages:

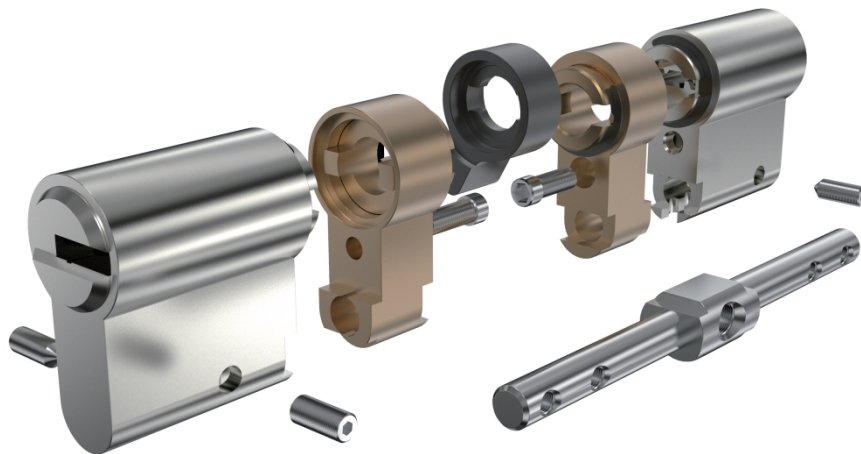
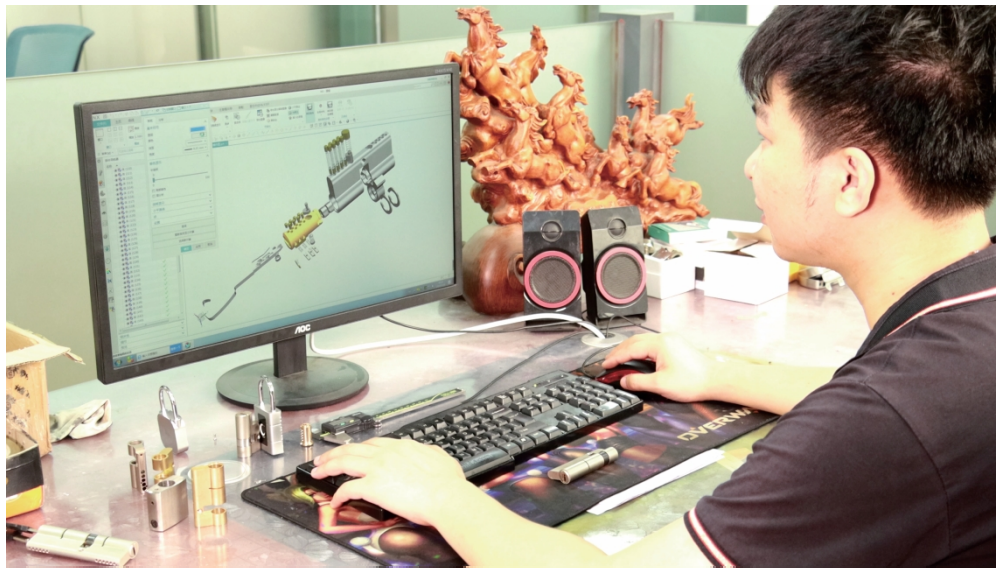
- Finish machining with many different toolings at on time.
- 4-axis to finish all the tasks from different angles.
- Quick and efficient way to produce samples.

# OTHER AUTOMATIC MACHINES AND STRICT QUALITY CONTROL METHODS





# EXPERIENCED R&D TEAM TO DESIGN WHAT YOU WANT



- Share your ideas about new products.
- We issue the technical drawings.
- Then we make samples before mass production.



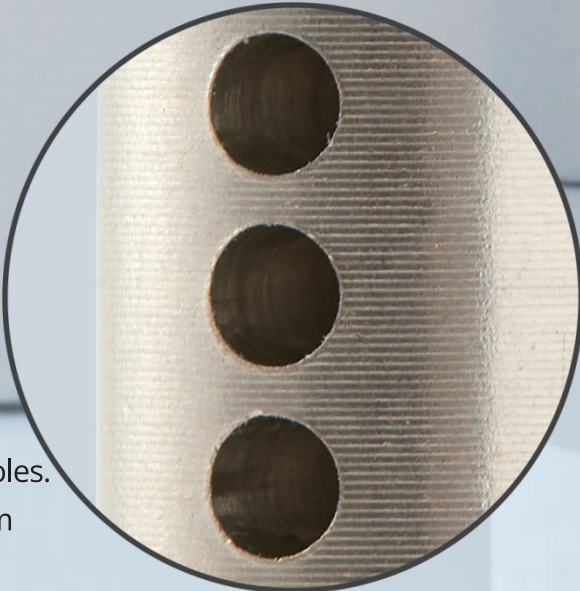




# NORMAL KEY CYLINDER



Pinning kits for repin and master pinning in local

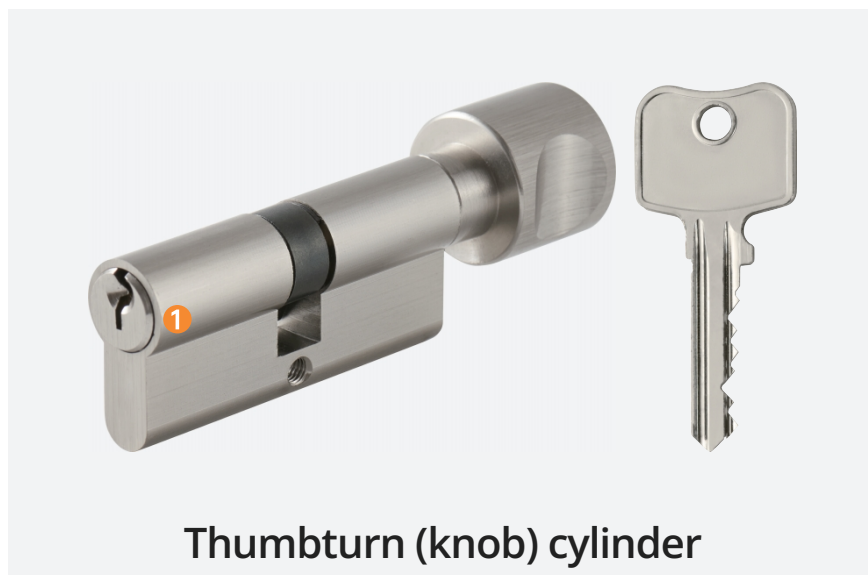


No chamfers around the pin holes.  
Perfect for master key system

EN 1303:2015							
1	6	0	0	0	C	6	0



1



Thumbturn (knob) cylinder



Double sided key cylinder

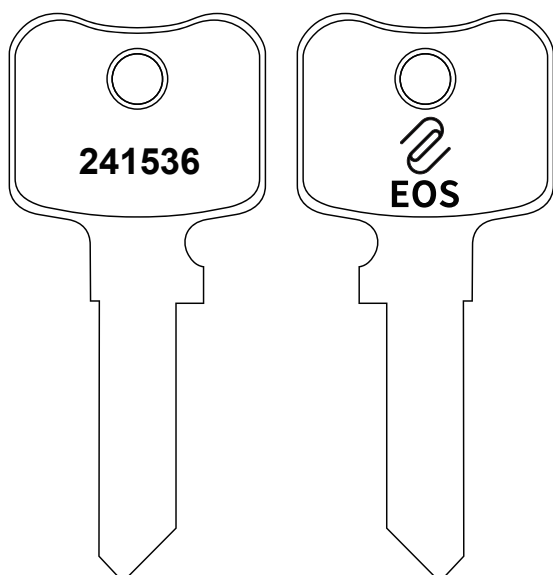
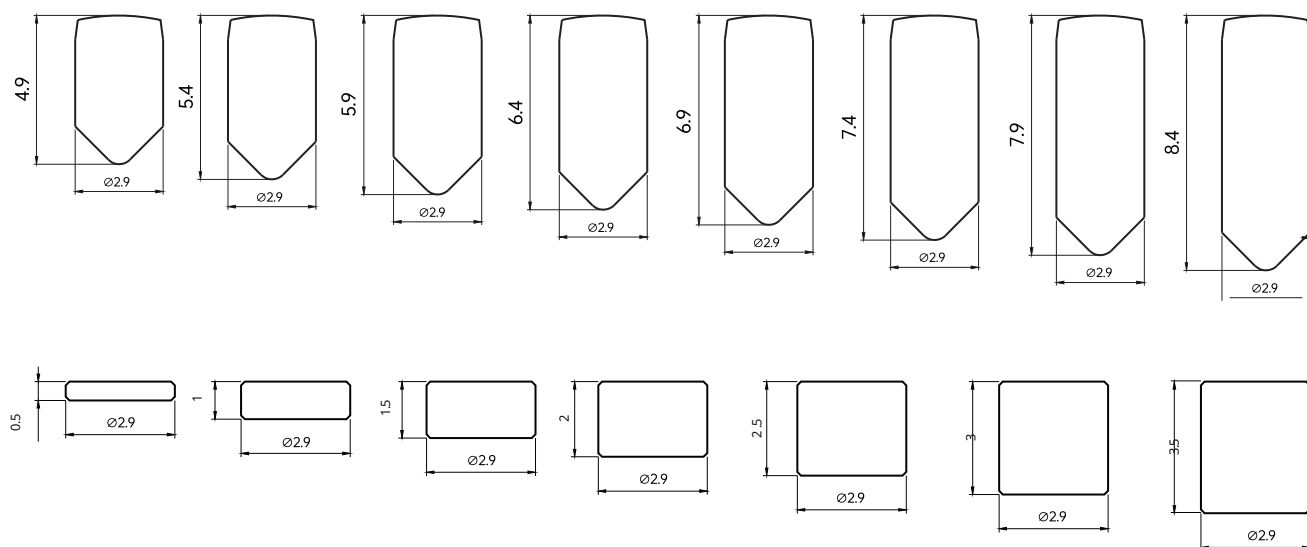
- Customized different length.
- 0.1-0.15mm gap between plug (rotor) and housing. 1
- Available for different finishes. Brass keys.
- Mostly used key profile: Yale, Tesa, Schlage, C4, and so on.

# Two way to do the master key sytem

# A

We normally offer bottom **pins**, **driver pins**, **master pins** and **key blanks** to customers who have in-house locksmithes or suppliers offering locksmith services.

(Unit: MM)

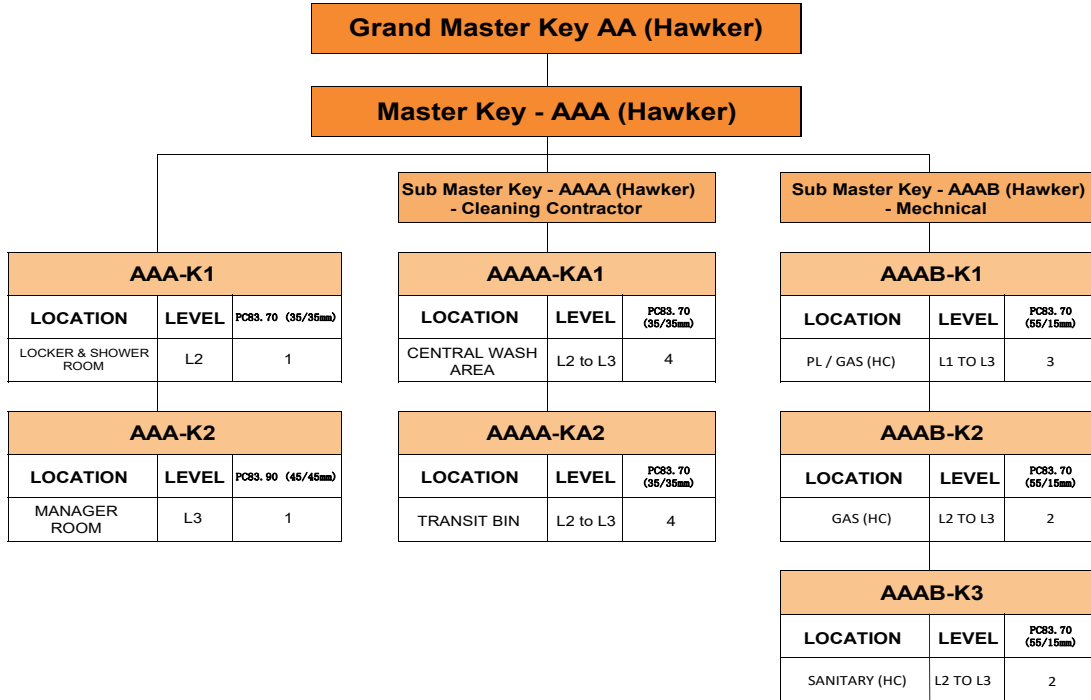


Allen screw seal pins cylinder for fast rekey

# B

We can supply the assembled cylinder with master key system based on customer key chart.

1. We received the key chart from our customer.



2. We issue the **code lists (different key numbers, master pin number and bottom pin number)** before assembling the locking system. We send the code list to clients for confirmation normally. It will be easy for them to check the cylinder during installation. For **future extension consideration**, we also save the code lists in our computer. So that we will understand all the key numbers that we applied in the project and it's easy for us to expand more cylinders in the same project.

PROJECT: Honour MAIN BUILDING		
ITEM	KEY CODE	KEY NUMBER
MK KEY	GMK-AA	424355
	MK-AAA	324355
	SMK-AAAA	313355
	SMK-AAAB	331355

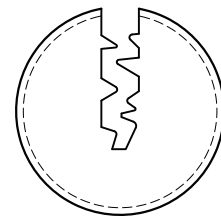
MK-AAA							
CYLLINDER TYPE	KEY/CYLINDER CODE	CYLINDER QUANTITY	KEY QUANTITY	LABEL	KEY NUMBER	BOTTOM PINS	MASTER PINS
PC83.70 (35/35mm)	AAA-K1	1	6	MAIN BUILDING 83.70(35/35)THUMBTURN CYLINDER AAA-K1	311441	311341	[1][1][3][1][1][4]
PC83.90 (45/45mm)	AAA-K2	1	6	MAIN BUILDING 83.90(45/45)THUMBTURN CYLINDER AAA-K2	311443	311343	[1][1][3][1][1][2]
PC83.70 (35/35mm)	AAAA-K1	4	6	MAIN BUILDING 83.70(35/35)THUMBTURN CYLINDER AAAA-K1	313121	313121	[1][1][1][2][3][4]
PC83.70 (35/35mm)	AAAA-K2	4	6	MAIN BUILDING 83.70(35/35)THUMBTURN CYLINDER AAAA-K2	313123	313123	[1][1][1][2][3][2]
PC83.70 (35/35mm)	AAAA-K3	2	6	MAIN BUILDING 83.70(35/35)THUMBTURN CYLINDER AAAA-K3	313141	313141	[1][1][1][2][1][4]
PC83.70 (35/35mm)	AAAA-K4	3	6	MAIN BUILDING 83.70(35/35)THUMBTURN CYLINDER AAAA-K4	313143	313143	[1][1][1][2][1][2]
PC8 .70 (55/15mm)	AAAB-K1	3	6	MAIN BUILDING 83.70(55/15)THUMBTURN CYLINDER AAAB-K1	331212	321212	[1][1][3][1][4][3]
P 83.70 (55/15mm)	AAAB-K2	2	6	MAIN BUILDING 83.70(55/15)THUMBTURN CYLINDER AAAB-K2	331214	321214	[1][1][3][1][4][1]
P 83.70 (55/15mm)	AAAB-K3	2	6	MAIN BUILDING 83.70(55/15)THUMBTURN CYLINDER AAAB-K3	331232	321232	[1][1][3][1][2][3]



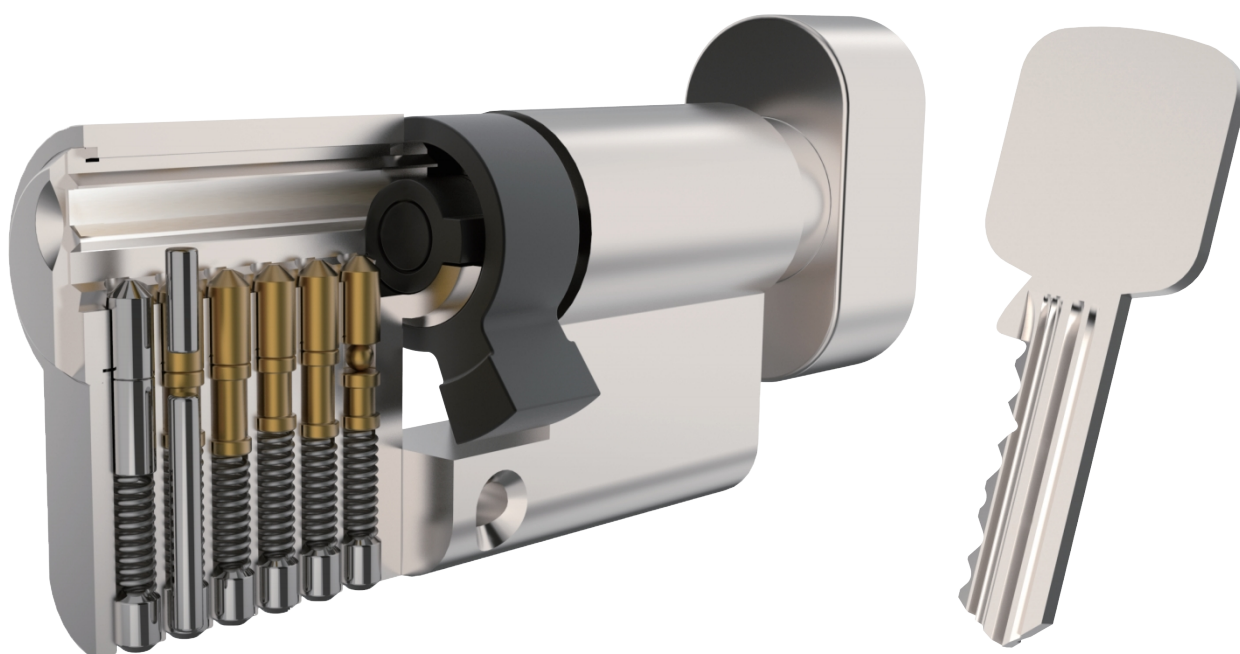




# LK2 SPECIAL KEY PROFILE CYLINDER



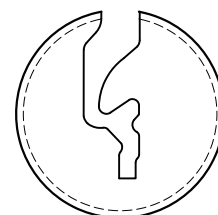
Special key profile



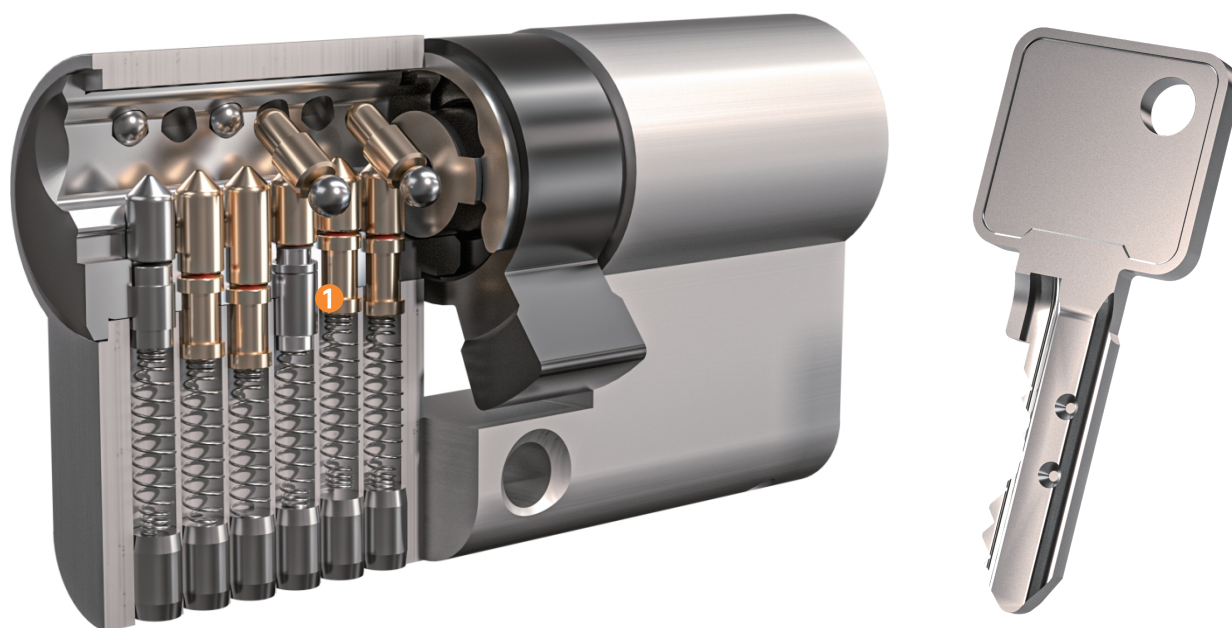
## Special key profile cylinder

- Special key profile controls the duplication.
- Available for different finishes. Brass keys (Silver nickel keys optional).
- Anti picking key profile.

# LK3 ANTI PICK RESTRICTED KEY PROFILE CYLINDER WITH SIDE PINS



Anti pick keyway



## Anti pick restricted key profile cylinder with side pins

- Anti bumping driver pins, high resistance to "bumping" or percussion. <sup>1</sup>
- Anti picking key profile.
- Side pins with angle for increasing the difficulty of picking, increase the key combination and for anti wrong key insert, doing the small scale master key system fastly.
- The first pins and drivers in hardened steel.
- Easy to do the key duplication in local market.

# LK4 SINGLE ROW DIMPLE KEY CYLINDER



## Single row dimple key cylinder

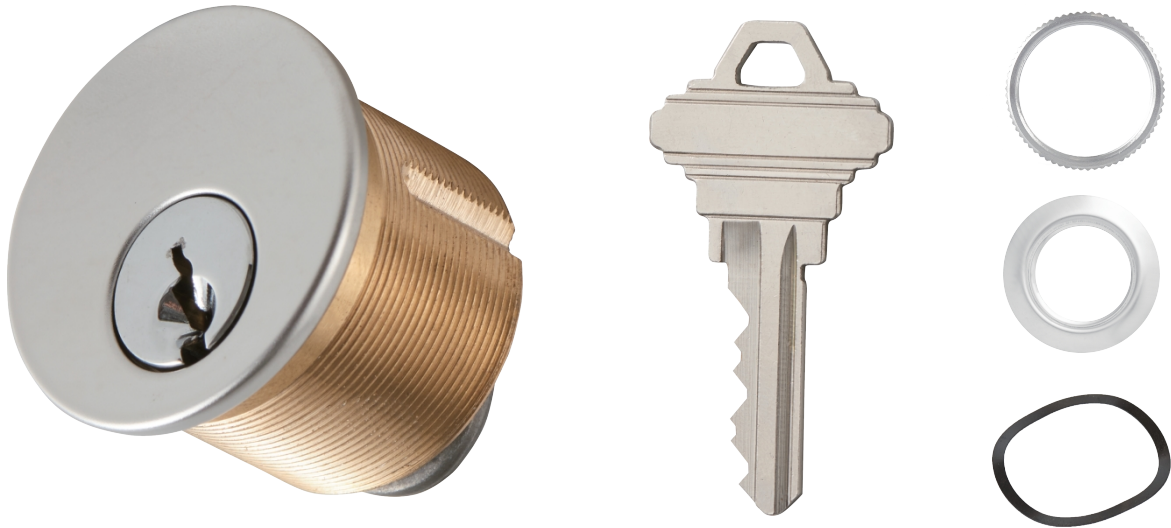
- Standard 0.5mm increment for the bottom pin. (5 key numbers).
- 0.1-15mm gap between plug (rotor) and housing. Suitable for master key system.
- Available for different finishes. Brass keys.
- Optional plastic key head. Optional double-clutch function.

# AMERICAN STANDARD LOCK CYLINDER





# LK5 MORTISE CYLINDER



UL CAM ADAM -1



UL CAM YALE -2



UL CAM YALE -2A



UL CAM RUSS -3



UL CAM FLCN -4



UL CAM SCHL -7



UL CAM SGNT -8



## Mortise cylinder

- Solid brass construction.
- Standard key pins #0 - #9.
- Suitable for American standard locksets.
- Available for different finishes and length (5 pins or 6 pins).
- Available for SC1 keyway, KW1 keyway and so on.
- Optional restricted keyway.

# LK6 RIM CYLINDER

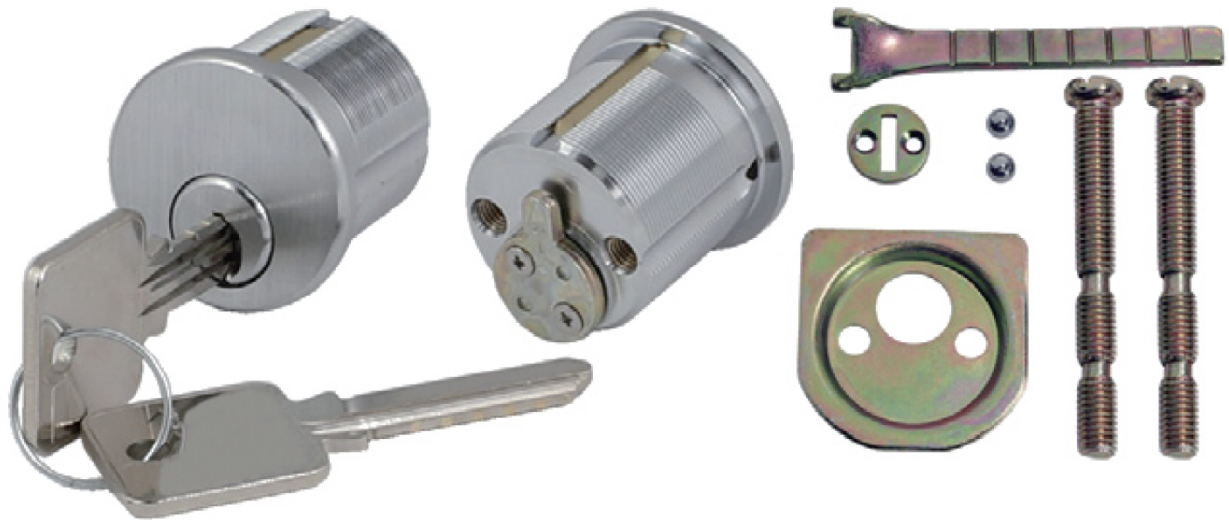


## Rim Cylinder

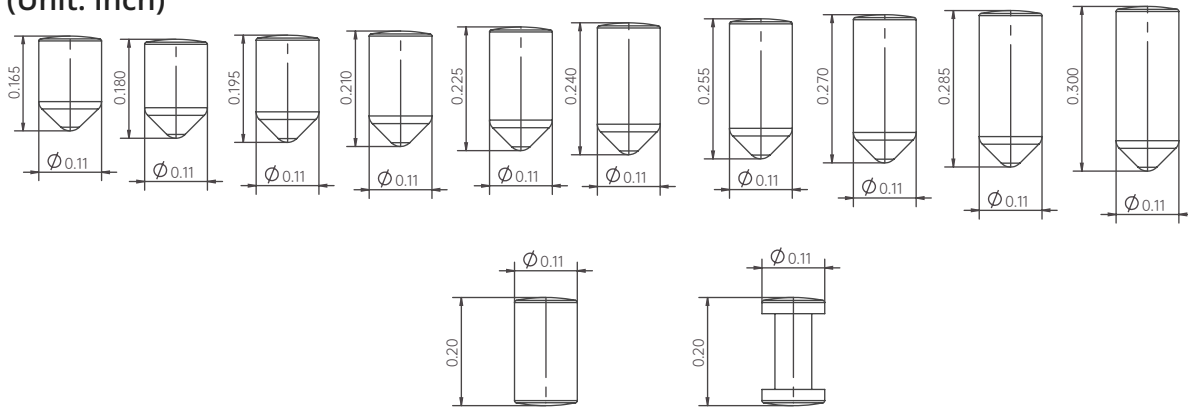
- Solid brass construction.
- Standard key pins #0 - #9.
- Suitable for American standard locksets.
- Available for different finishes and length (5 pins or 6 pins).
- Available for SC1 keyway, KW1 keyway and so on.
- Optional restricted keyway.



# LK7 RIMO CYLINDER



(Unit: Inch)



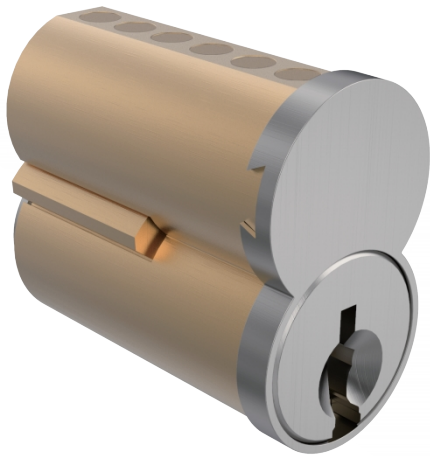
## Rimo Cylinder

- Solid brass construction.
- Standard key pins #0 - #9.
- Suitable for American standard locksets.
- Available for different finishes and length (5 pins or 6 pins).
- Available for SC1 keyway, KW1 keyway and so on.
- Optional restricted keyway.

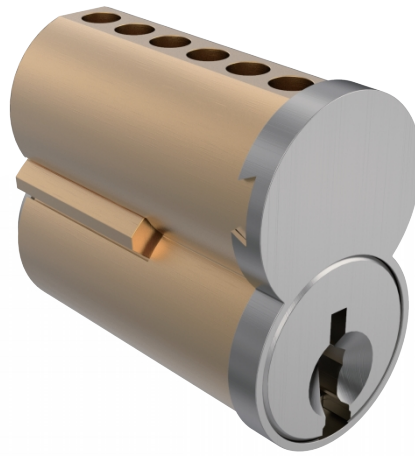


## KIK Cylinder

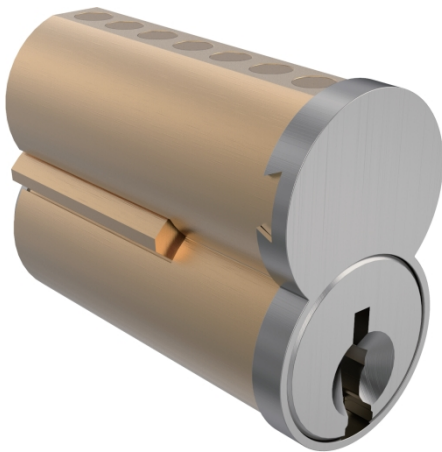
- Solid brass construction.
- Standard key pins #0 - #9.
- Suitable for American standard locksets.
- Available for different finishes and length (5 pins or 6 pins).
- Available for SC1 keyway, KW1 keyway and so on.
- Optional restricted keyway.



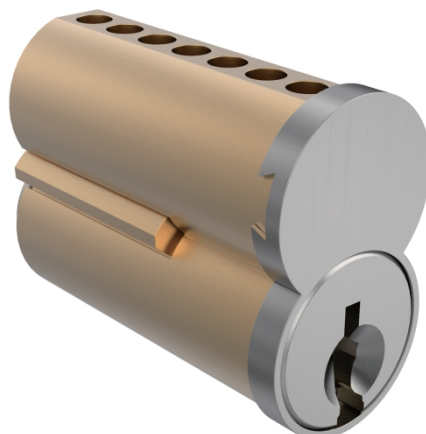
6 pins combined



6 pins uncombined



7 pins combined



7 pins uncombined

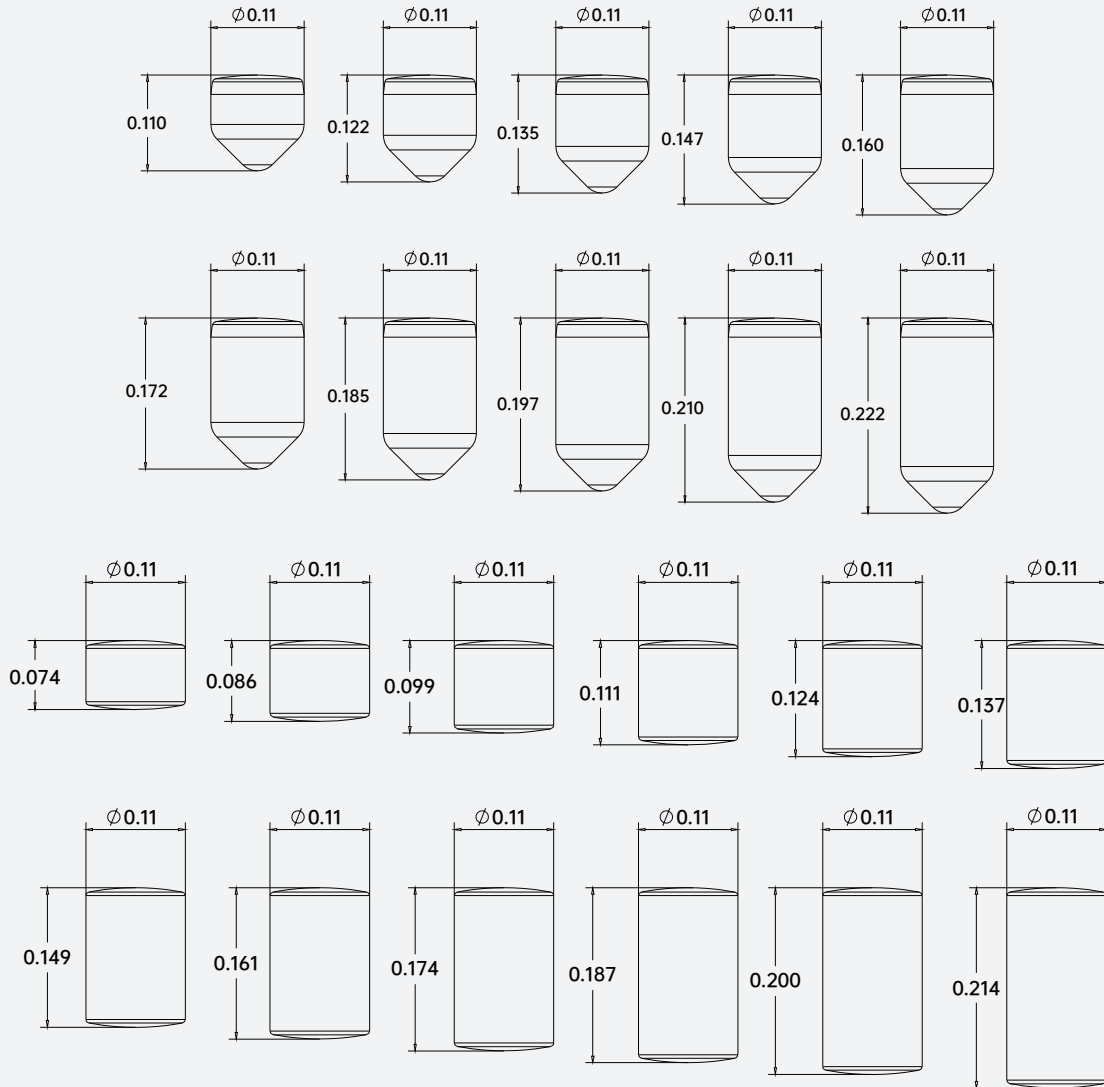


## SFIC (small format interchangeable core)

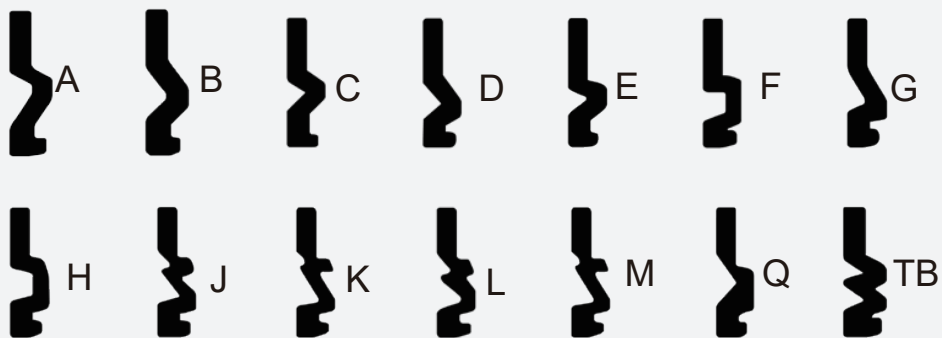
- Solid brass construction.
- Available in 6 or 7 pins.
- Available combined and uncombined.
- BEST A-2 System key pins.
- Key combination over 1,000,000.
- Suitable for American standard locksets.
- Suitable for doing master key system.

# Key pins/ master key pins for SFIC

(Unit: Inch)



## BEST Keyway



# LK10

## SFIC MORTISE HOUSING



UL CAM ADAM -1



UL CAM YALE -2



UL CAM YALE -2A



UL CAM RUSS -3



UL CAM FLCN -4



UL CAM SCHL -7

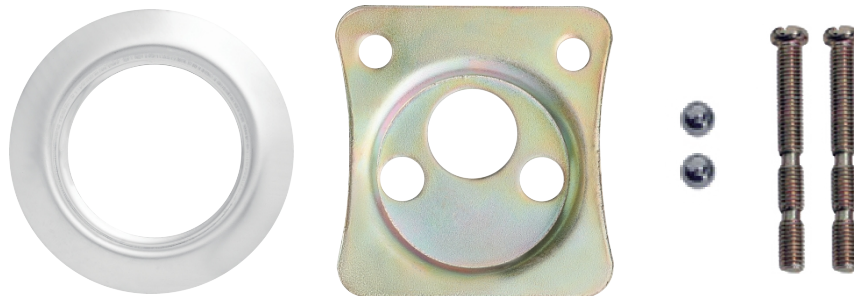
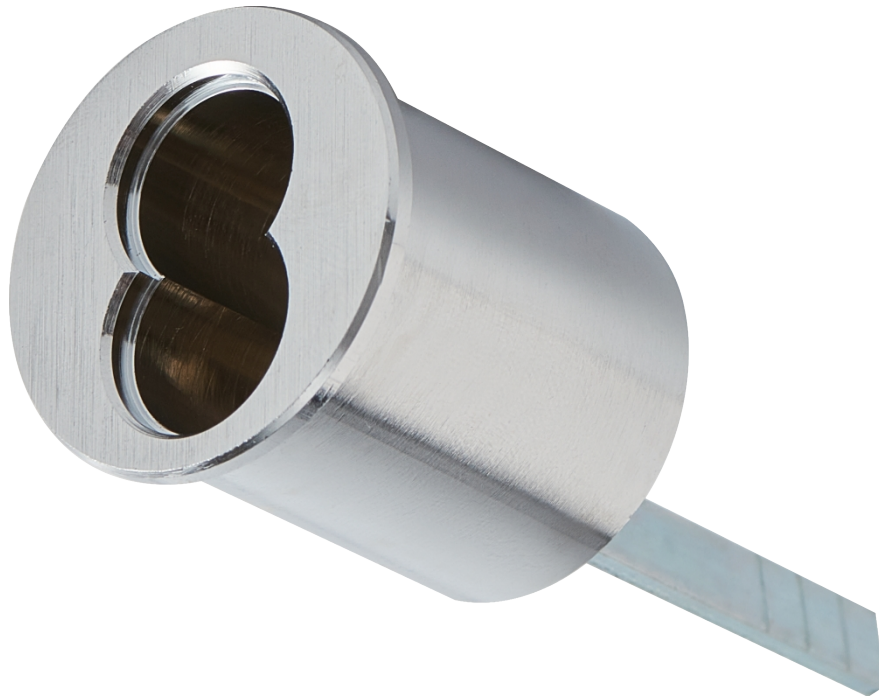


UL CAM SGNT -8



## SFIC Mortise Housing

- Solid brass construction.
- Suitable for 6 or 7 pins SFIC.
- Available for different finishes and length.



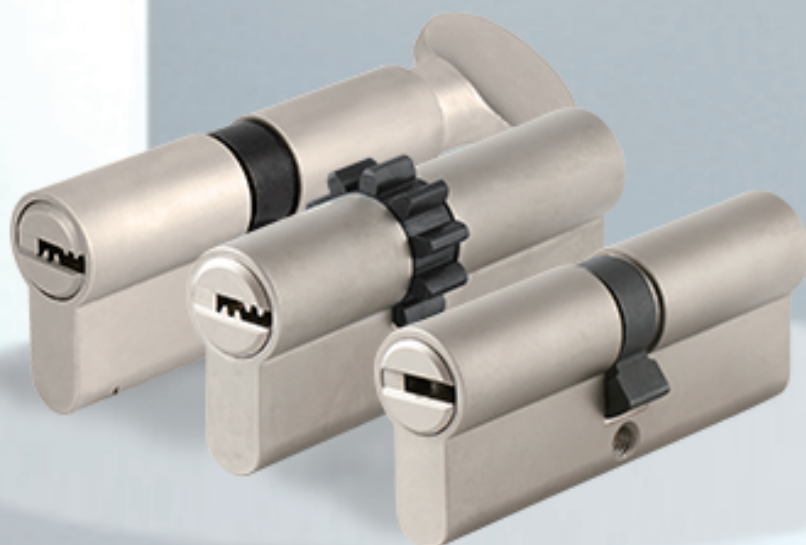
## SFIC Rim Housing

- Solid brass construction.
- Suitable for 6 or 7 pins SFIC.
- Available for different finishes and length.



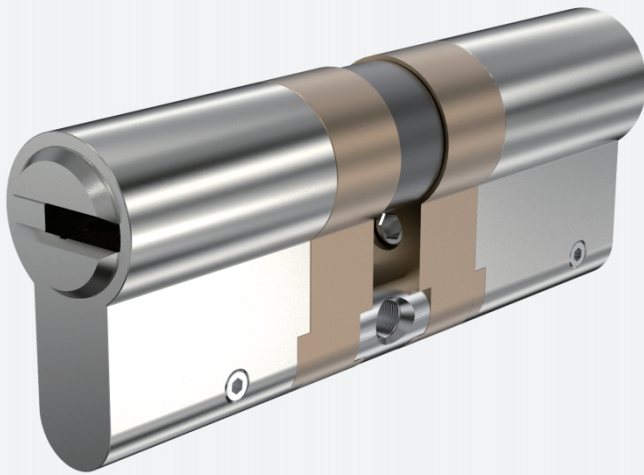


# HIGH SECURITY CYLINDERS



# MODULAR EUROPEAN PROFILE CYLINDER

Basic length of 31/33mm can be extended on either side at 5mm, 10mm, 20mm adapters, using just a screw for onsite convenient modification.



#206

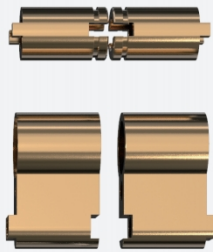
#266



5mm parts



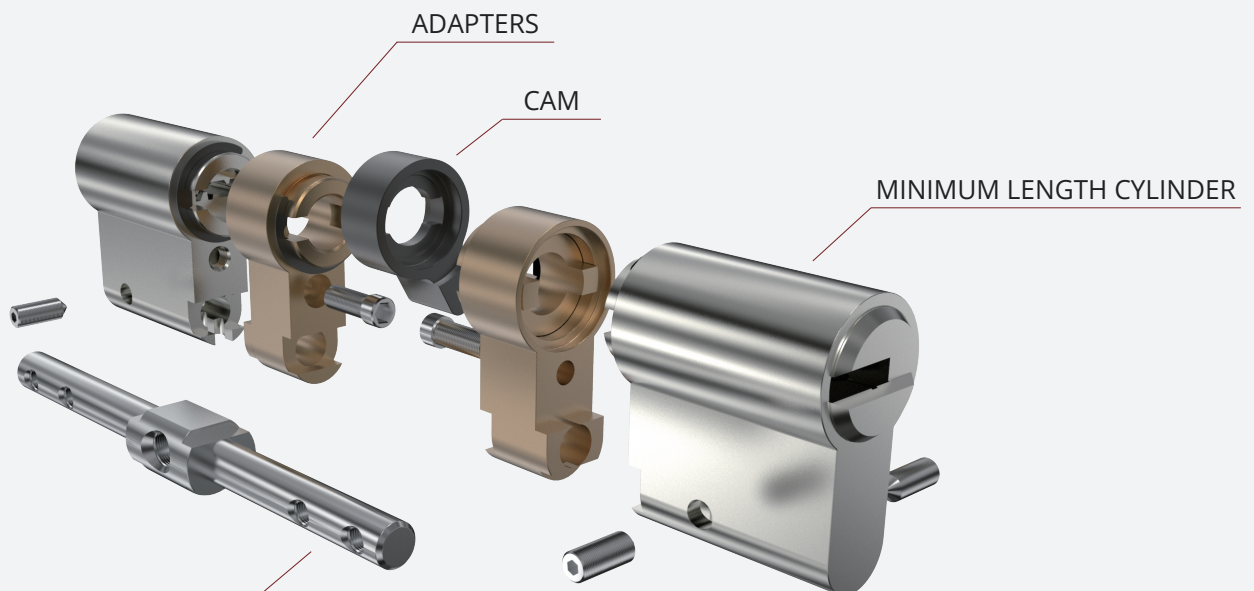
10mm parts



20mm parts



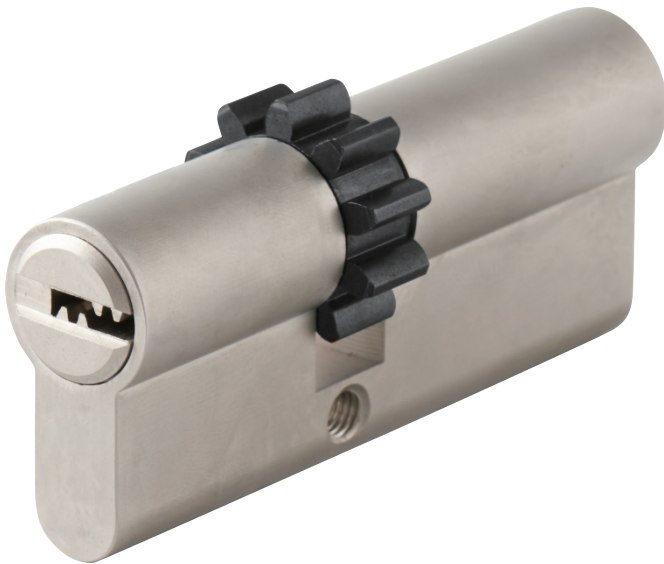
Different sizes of connecting bridges



CONNECTING BRIDGE

# LK13

## SINGLE ROW DIMPLE KEY CYLINDER

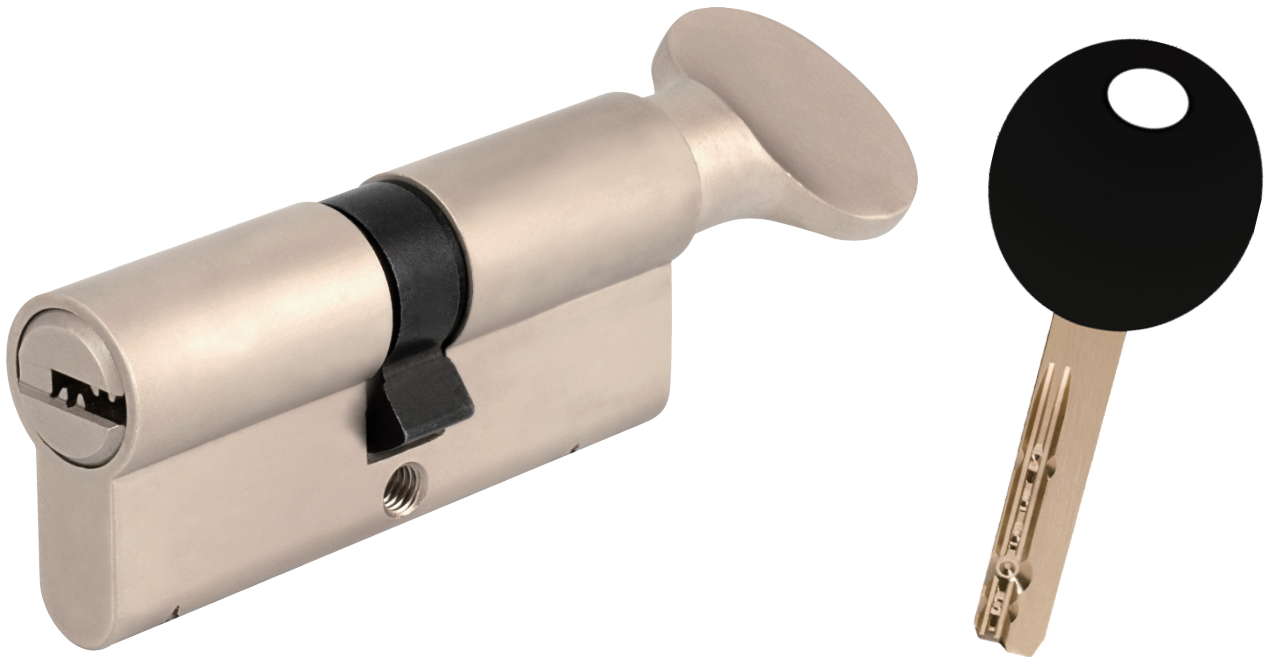


## Single row dimple key cylinder

- Standard 0.4mm increment for the bottom pin #0 - #6. 7 pin holes.
- Standard 0.1- 0.15mm gap between rotor and housing.
- Suitable for doing master key system.
- Standard using #06, #76 key profile. Other key profiles are available.
- Available for different finishes. Plastic key head. Nickel silver keys.
- Optional double-entry function (emergency double cylinder).

# LK14

SINGLE ROW TELESCOPIC PINS CYLINDER



## Single row telescopic pins cylinder

- Using the telescopic pin specification.
- Standard 0.1- 0.15mm gap between rotor and housing.
- Suitable for doing master key system. Offering master pins (3 kinds).
- Standard using #06, #76 key profile. Other key profiles are available.
- Available for different finishes. Plastic key head. Nickel silver keys.
- Optional double-entry function.



# LK15

SINGLE ROW TELESCOPIC PINS CYLINDER



## Single row telescopic pins cylinder

- Using the telescopic pin specification.
- Standard 0.1 - 0.15mm gap between rotor and housing.
- Suitable for doing master key system. Offering master pins (3 kinds).
- 4 sliders are applied to increase the anti-bumping ability.
- Key blank with slider cut already.
- Standard using #06 key profile. Other key profiles are available.
- Available for different finishes. Plastic key head. Nickel silver keys.
- Optional double-entry function.

# LK16

TELESCOPIC PINS CYLINDER WITH SINGLE MOBILE PINS



#206

#266



with sacrificial cut

## Telescopic pins cylinder with single mobile pins

- Using the telescopic pin specification and mobile pin structure.
- Standard 0.1 - 0.15mm gap between rotor and housing.
- Suitable for doing master key system. Offering master pins (3 kinds).
- Key blanks with mobile pins assembled already.
- Standard using #206, #266 key profile. Other key profiles are available.
- Available for different finishes. Plastic key head. Nickel silver keys.
- Optional double-entry function.

# LK16-1

TELESCOPIC PINS CYLINDER WITH SINGLE MOBILE PINS



## Telescopic pins cylinder with single mobile pins

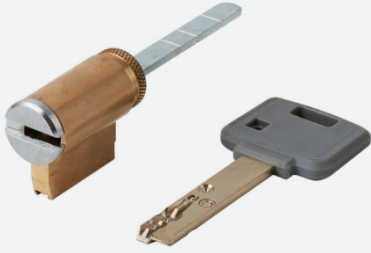

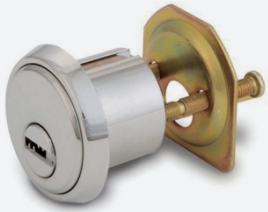
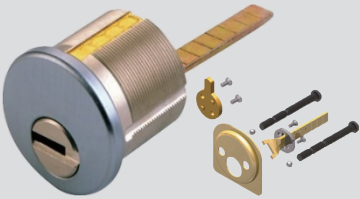
- Anti-snap bar placed at the housing. <sup>1</sup>
- 2 pieces anti-break bar placed at the housing. <sup>2</sup>
- Using the telescopic pin specification and mobile pin structure.
- Standard 0.1 - 0.15mm gap between rotor and housing.
- Suitable for doing master key system. Offering master pins (3 kinds).
- Key blanks with mobile pins assembled already.
- Standard using #206, #266 key profile. Other key profiles are available.
- Available for different finishes. Plastic key head. Nickel silver keys.
- Optional double-entry function.



## Telescopic pins cylinder with double mobile pins

- Double mobile pins increase the difficulty of technical opening.
- Using the same as Mul-T-Lock's Interactive model telescopic pin specification.
- Standard 0.1 - 0.15mm gap between rotor and housing.
- Suitable for doing master key system. Offering master pins (3 kinds).
- Key blanks with mobile pins assembled already.
- Standard using #206, #266 key profile. Other key profiles are available.
- Available for different finishes. Plastic key head. Nickel silver keys.
- Optional double-entry function.

# American Standard Cylinder with telescopic pin structure

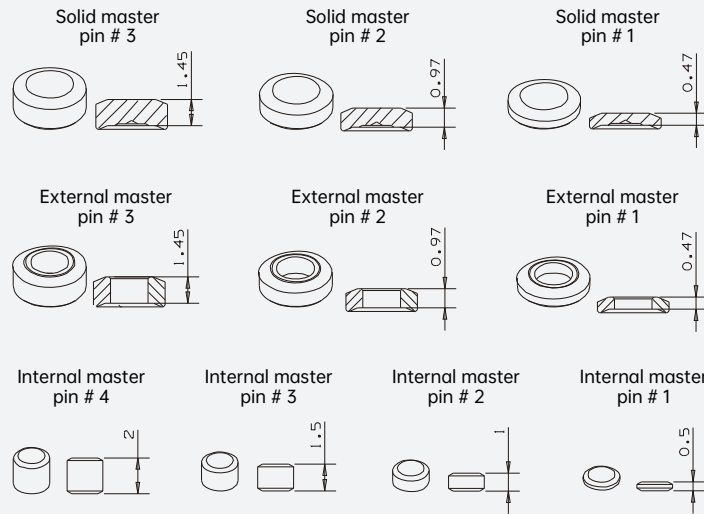
Type of Housing	Picture	single row dimple key	telescopic pin	telescopic pins with single floating pin	Double floating pins
KIK		LK18	LK19	LK20	LK48
Mortise		LK21	LK22	LK23	LK49
Rim		LK24	LK25	LK26	LK50
RIMO		LK27	LK28	LK29	LK51



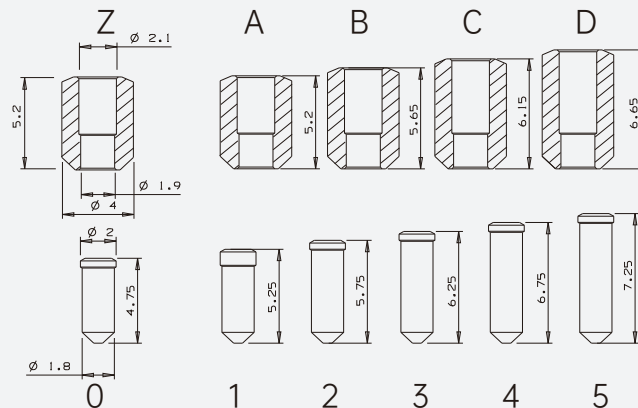
# Telescopic Cylinder Systems Components



## Master Pins (Unit: MM)



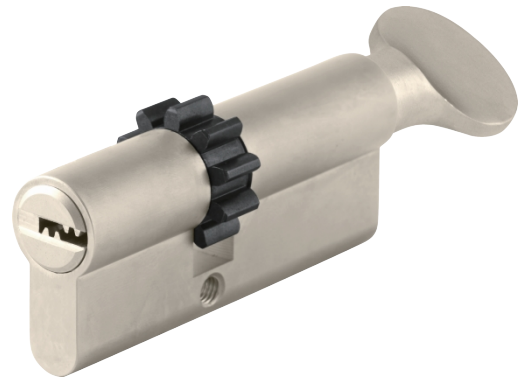
## Telescopic key pins (Unit: MM)



# Different Accessories for Different Functions



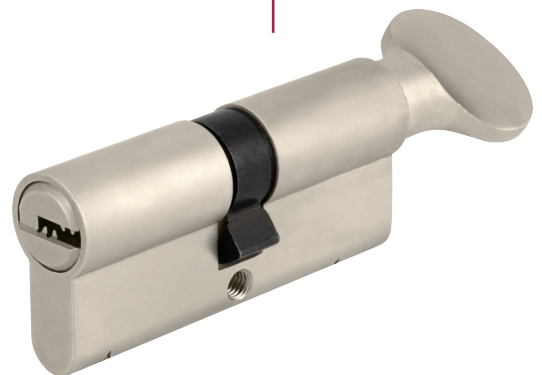
Double Cylinder with Gear Cam



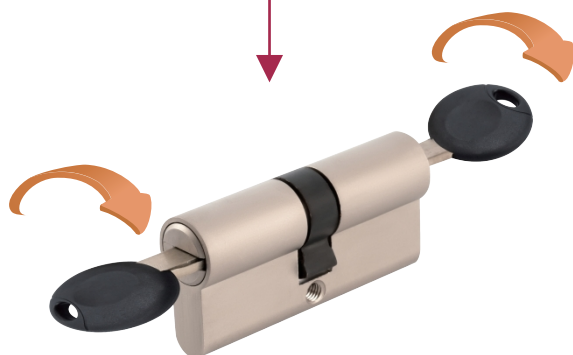
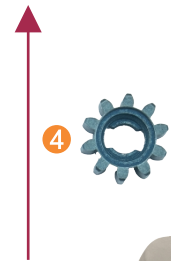
Thumbturn Cylinder with Gear Cam



Double Cylinder with Normal Double Open Cam



Thumbturn Cylinder with Single Open Cam



Emergency Lock Cylinder Double-Clutch Function

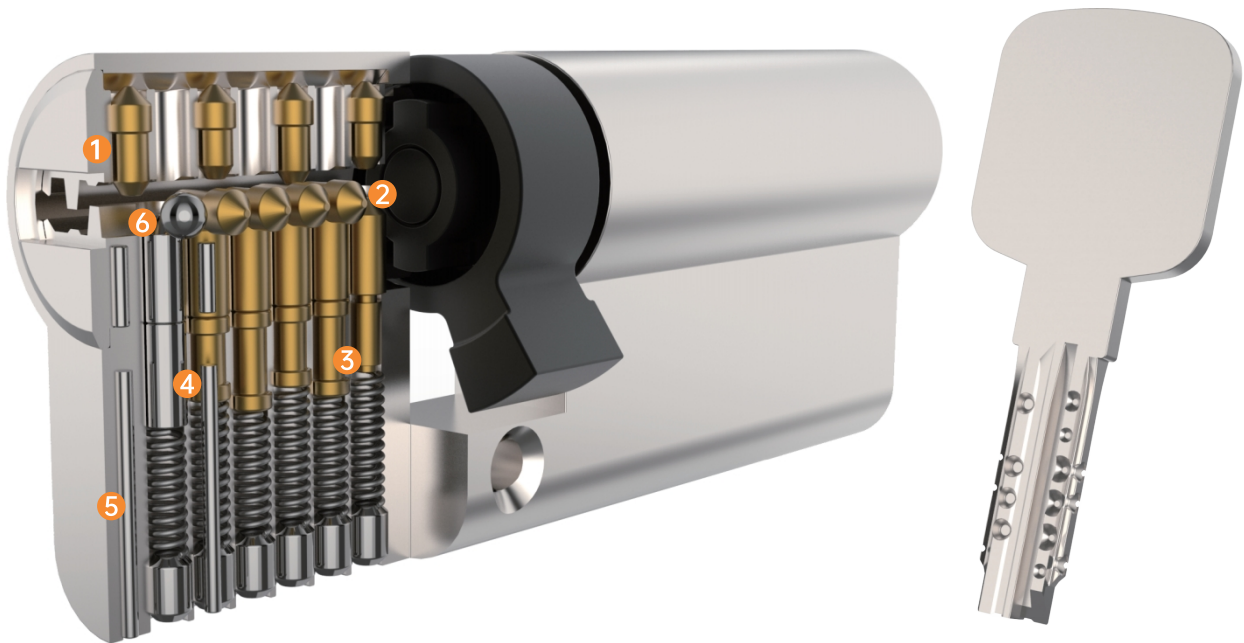
- ① thumbturn single open normal cam
- ② thumbturn clutch
- ③ thumbturn + thumbturn plug
- ④ 10-tooth gear cam
- ⑤ emergency double clutch
- ⑥ double open normal cam
- ⑦ double open normal clutch

# ACTIVE PINS CYLINDER WITH PASSIVE PINS





# LK30 ACTIVE PINS, PASSIVE PINS AND SIDE PINS CYLINDER WITH ENHANCED ANTI-DRILLING ABILITY



## Active pins, passive pins and side pins cylinder with enhanced **anti-drilling** ability

- Standard 0.5mm increment for the bottom pin (5 key number).
- Standard 0.1 - 0.15mm gap between rotor and housing.
- 7 optional passive pin holes. 4 actual passive pins dimple cut. Passive pins have 2 steps. <sup>1</sup>
- 5 optional side pin holes and 3 actual side pins dimple cut. <sup>2</sup>
- Anti-bumping driver pin offers the anti-bumping ability. <sup>3</sup>
- First bottom pin and driver pin are made of harden steel. <sup>4</sup>
- 3 anti-drilling pins placed at the housing and rotor. <sup>5</sup>
- 1 anti-drill steel balls placed at the rotor prevents the side drilling. <sup>6</sup>
- Suitable for doing family master key system.
- Available for different finishes. Brass keys. Optional plastic key head.
- Optional double-entry function.

# LK31

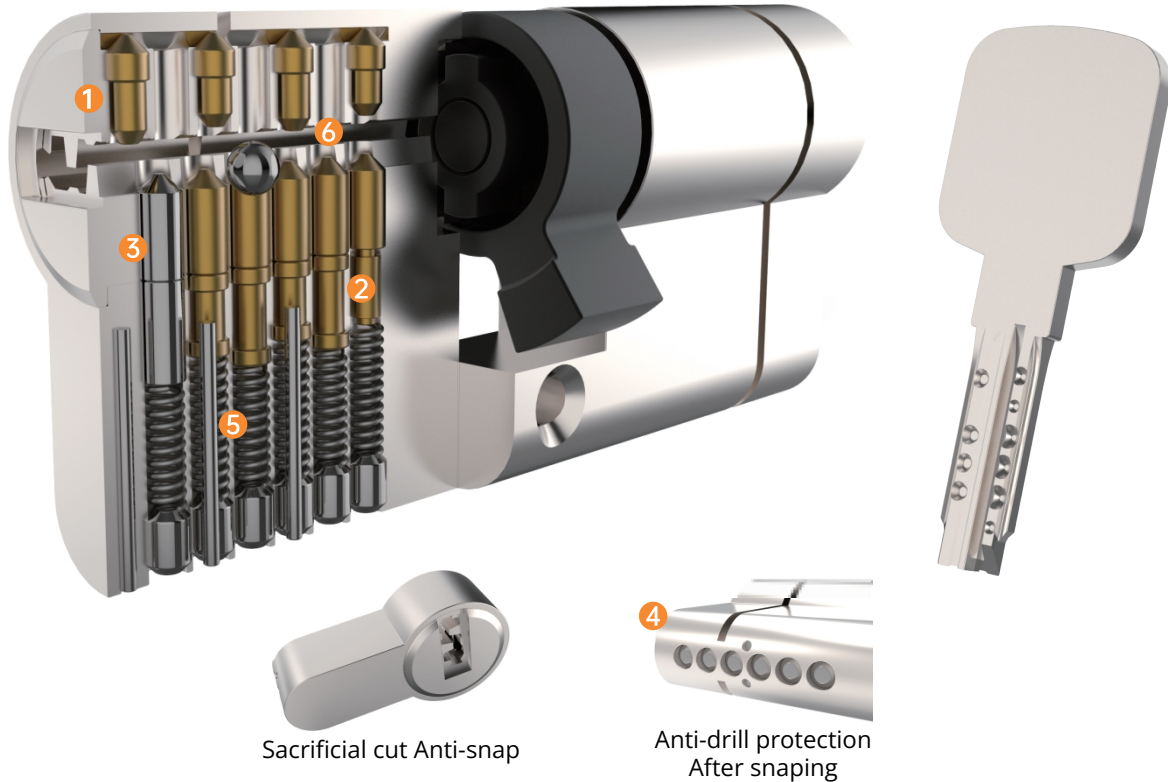
ACTIVE PINS AND PASSIVE PINS CYLINDER WITH ENHANCED ANTI-BREAKING ABILITY



## Active pins and passive pins cylinder with enhanced **anti-breaking** ability

- Standard 0.5mm increment for the bottom pin (5 key number).
- Standard 0.1 - 0.15mm gap between rotor and housing.
- 7 optional passive pin holes. 4 actual passive pins dimple cut. <sup>1</sup>
- Anti-bumping driver pin offers the anti-bumping ability. <sup>2</sup>
- First bottom pin and driver pin are made of harden steel. <sup>3</sup>
- 1 anti-drilling pins placed at the housing. <sup>4</sup>
- 1 anti-drill steel balls placed at the rotor prevents the side drilling. <sup>5</sup>
- Suitable for doing family master key system.
- Available for different finishes. Brass keys. Optional plastic key head.
- Optional double-entry function.

# LK32 ACTIVE PINS AND PASSIVE PINS CYLINDER WITH SACRIFICIAL ANTI-SNAP CUT



## Active pins and passive pins cylinder with sacrificial **anti-snap** cut

- Standard 0.5mm increment for the bottom pin (5 key number).
- Standard 0.1 - 0.15mm gap between rotor and housing.
- 7 optional passive pin holes. 4 actual passive pins dimple cut. <sup>1</sup>
- Anti-bumping driver pin offers the anti-bumping ability. <sup>2</sup>
- First bottom pin and driver pin are made of harden steel. <sup>3</sup>
- 5 anti-drilling pins placed at the housing. <sup>4</sup>
- 2 anti-drilling pins placed at the rotor. <sup>5</sup>
- 1 anti-drill steel balls placed at the rotor prevents the side drilling. <sup>6</sup>
- Suitable for making master key system.
- Available for different finishes. Brass keys. Optional plastic key head.
- Optional double-entry function.



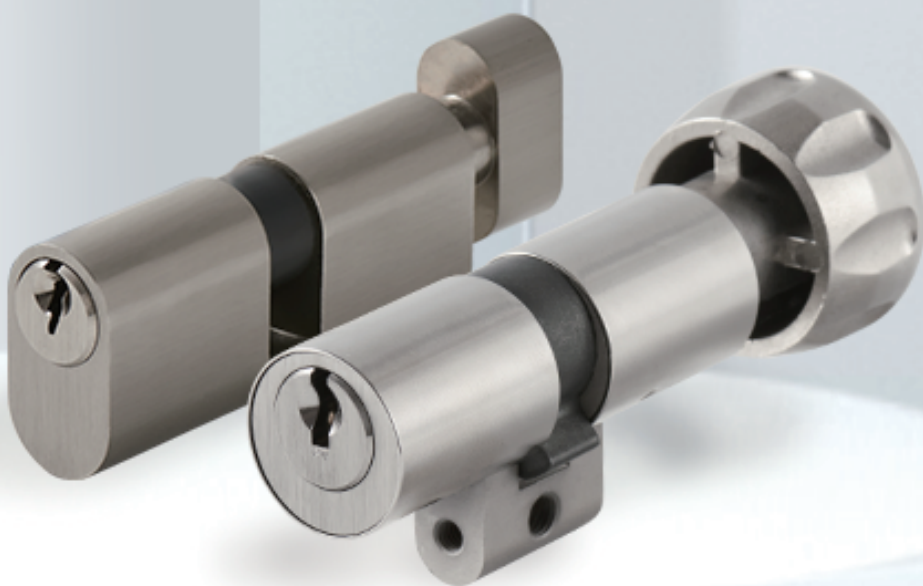
# LK33 ACTIVE PINS AND PASSIVE PINS CYLINDER WITH ENHANCED ANTI-BUMPING ABILITY



## Active pins and passive pins cylinder with enhanced **anti-bumping** ability

- Standard 0.5mm increment for the bottom pin (5 key number).
- Standard 0.1 - 0.15mm gap between rotor and housing.
- 7 optional passive pin holes. 4 actual passive pins dimple cut.
- Anti-bumping driver pin offers the anti-bumping ability. <sup>1</sup>
- First bottom pin and driver pin are made of harden steel.
- 6 anti-drilling pins placed at the housing.
- 2 pieces anti-break bar placed at the housing. <sup>2</sup>
- Anti-snap bar placed at the housing. <sup>3</sup>
- Suitable for making master key system.
- Available for different finishes. Brass keys. Optional plastic key head.
- Optional double-entry function.

# OTHER PRODUCTS



# LK46 SCANDINAVIAN ROUND LOCK CYLINDER WITH 7 PINS (EXTERNAL)



With Stainless Steel Trim

## Scandinavian round lock cylinder with 7 pins (external)

- Same ASSA ABLOY TrioVing key profile and key cutting.
- Optional protected key profile and security card.
- Standard cylinder for the module series.
- Anti pick driver pins and anti drilling pins on the plug and housing.
- 3 Brass or silver nickel key.
- Optional Allen screw seal pin. <sup>1</sup>



# LK47 SCANDINAVIAN ROUND LOCK CYLINDER WITH 7 PINS (INTERNAL)



ANTI PICK ANTI DRILL



## Scandinavian round lock cylinder with 7 pins (internal)

- Same ASSA ABLOY TrioVing key profile and key cutting.
- Optional protected key profile and security card.
- Standard cylinder for the module series.
- Anti pick driver pins and anti drilling pins on the plug and housing.
- 3 Brass or silver nickel key.
- Optional Allen screw seal pin. <sup>1</sup>

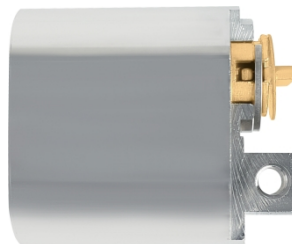
# LK34 SCANDINAVIAN OVAL LOCK CYLINDER WITH 7 PINS



ANTI PICK ANTI DRILL



1



## Scandinavian oval lock cylinder with 7 pins

- Same ASSA ABLOY TrioVing key profile and key cutting.
- Optional protected key profile and security card.
- Standard cylinder for the module series.
- Anti pick driver pins and anti drilling pins on the plug and housing.
- 3 Brass or silver nickel key.
- Optional Allen screw seal pin. <sup>1</sup>

# LK35

SCANDINAVIAN OVAL LOCK CYLINDER WITH 7 PINS



1



## Scandinavian oval lock cylinder with 7 pins

- Same ASSA ABLOY TrioVing key profile and key cutting.
- Optional protected key profile and security card.
- Standard cylinder for the module series.
- Anti pick driver pins and anti drilling pins on the plug and housing.
- 3 Brass or silver nickel key.
- Optional Allen screw seal pin. <sup>1</sup>



# LK36 SCANDINAVIAN OVAL CYLINDER WITH SLEEVE RING



## Scandinavian oval cylinder with sleeve ring

- Same ASSA ABLOY TrioVing key profile, key cutting and sleeve ring.
- Optional protected key profile and security card.
- Standard cylinder for the module series.
- Anti pick driver pins and anti drilling pins on the plug and housing.
- Brass or silver nickel key.
- Optional Allen screw seal pin. <sup>1</sup>

# LK37

SCANDINAVIAN OVAL CYLINDER EXTENSION PIECE

---



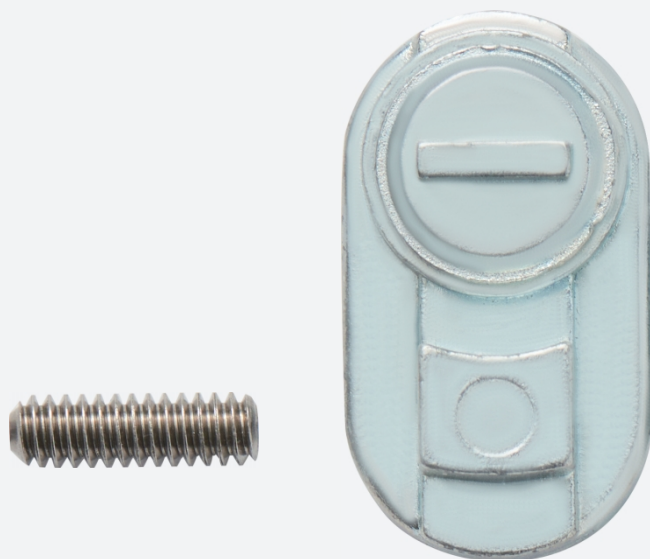
Scandinavian oval cylinder extension piece

- Length: 8mm, 10mm, 15mm

# LK38

SCANDINAVIAN OVAL CYLINDER EXTENSION PIECE

---



Scandinavian oval cylinder extension piece

- Length: 10mm, 15mm

# LK39

SCANDINAVIAN THUMBTURN CYLINDER (EXTERNAL)

---



# LK40

SCANDINAVIAN OVAL THUMBTURN CYLINDER (INTERNAL)

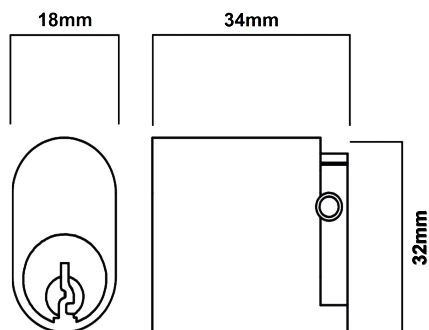
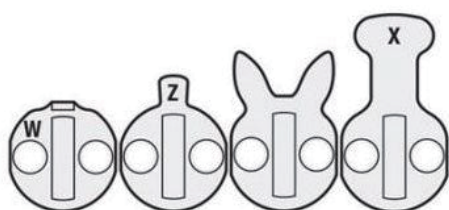
---





# LK41

AUSTRALIAN OVAL CYLINDER



## Australian oval cylinder

- C4 key profile, restricted keyway is optional.
- Optional Satin nickel, Satin chrome or black finish.
- Optional allen screw seal pin for repin or conseal seal pin.
- Construction key nad master key systems are available upon request.
- Supplied with the 4 most common cams.

# LK42

SCREEN DOOR CYLINDER

---

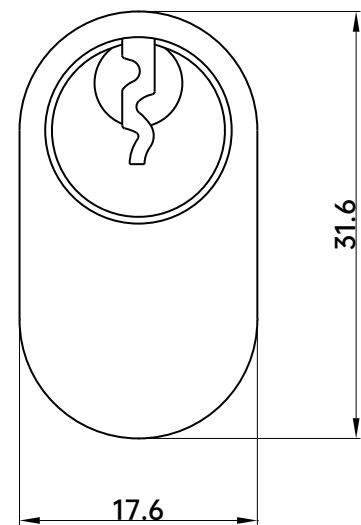


## Screen door cylinder

- Suits most hinged and sliding security door locks.
- Lazy cam.
- Brass barrel and zinc body construction.
- 2 brass keys.
- Polished chrome finish.
- 62.5mm length.
- Removal cap for easy rekeying.

# LK43

OVAL PROFILE CYLINDER



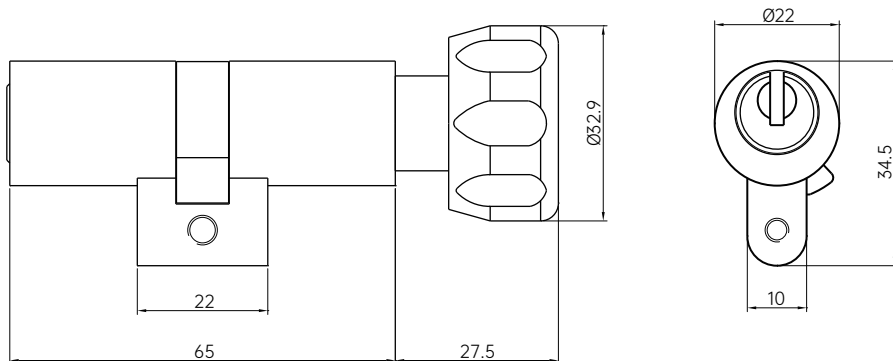
## Oval profile cylinder

- Customized different length.
- 0.13mm gap between plug (rotor) and housing. Suitable for master key system.
- Available for different finishes. Brass keys.
- Mostly used key profile: Yale.



# LK44

DOUBLE ROW 8 PINS SWISS PROFILE CYLINDER

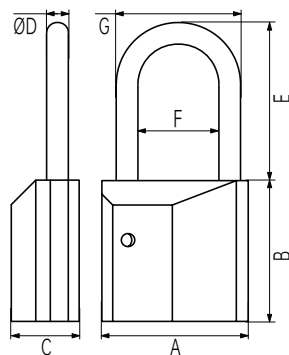


## Double row 8 pins Swiss profile cylinder

- Standard double row 8 pins dimple key cylinder.
- Available for different finishes. brass keys.
- Available for different types: double open (key-key), single open (key-thumbturn), half open.

# LK45

EUROPEAN PROFILE CYLINDER PADLOCK



A	B	C	ØD	E	F	G
54	52	25	8	30	30	46

## European profile cylinder padlock

- 30+10 european profily cylinder.
- Solid brass material.
- Nickel plated finish.
- Anti sawing hook is made of stainless steel material.

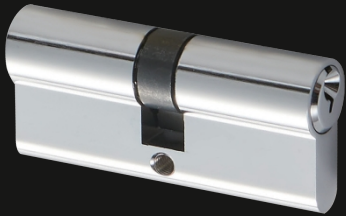
# OTHER FUNCTIONS





# AVAILABLE FINISHES

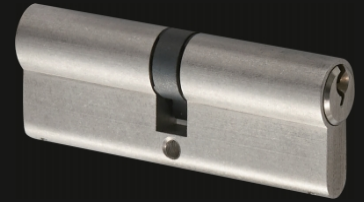
---



PC



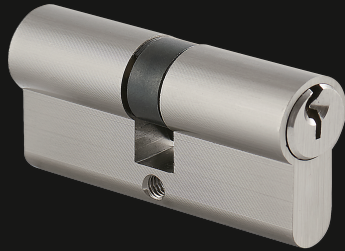
SC



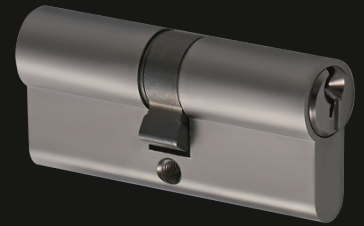
VN (Vibrated)



PN



SN



SBN



PB



SB



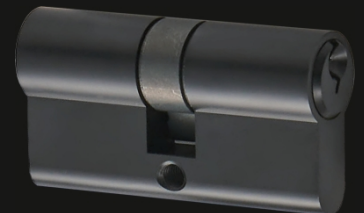
PVD



PG



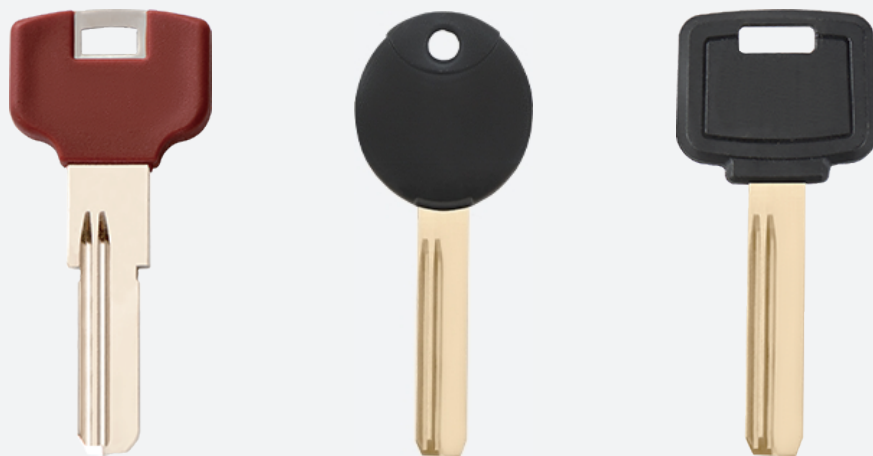
AB



BLK

# AVAILABLE PLASTIC KEY HEAD IDEAS

---



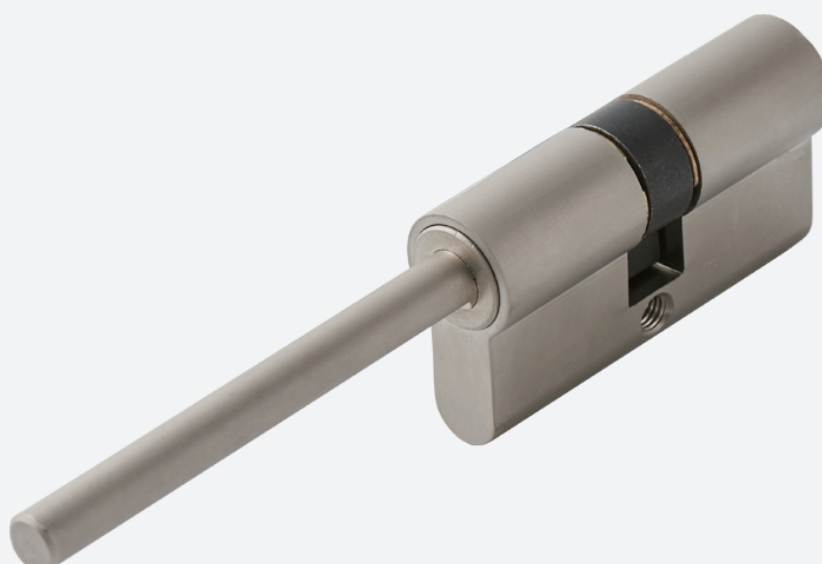
# AVAILABLE FUNCTIONS

---



## Emergency Lock Cylinder

Double-Clutch Function



## Shaft cylinder

When the key turns, the shaft doesn't turn. Optional different length of shaft



# AVAILABLE FUNCTIONS



Registration card

Key code

Please fill in this registration card with the number engraved on your key, keep it somewhere safe. Upon presentation of the filled in card, you will be supplied with an additional key.

Registration card

Key code

Please fill in this registration card with the number engraved on your key, keep it somewhere safe. Upon presentation of the filled in card, you will be supplied with an additional key.

Registration card

Key code

Please fill in this registration card with the number engraved on your key, keep it somewhere safe. Upon presentation of the filled in card, you will be supplied with an additional key.

Registration card

Key code

Please fill in this registration card with the number engraved on your key, keep it somewhere safe. Upon presentation of the filled in card, you will be supplied with an additional key.

Registration card

Key code

Please fill in this registration card with the number engraved on your key, keep it somewhere safe. Upon presentation of the filled in card, you will be supplied with an additional key.

- Rim cylinder and mortise cylinder are available by changing the cam or tailpiece.
- Keys are with side pins to enlarge key combinations.
- Maximum 5-in-1 function.
- Using the telescopic pin specification and mobile pin structure.
- Standard 0.1 - 0.15mm gap between rotor and housing.
- Suitable for doing master key system. Offering master pins (3 kinds).
- Key blanks with mobile pins assembled already.
- Standard using #206, #266 key profile. Other key profiles are available.
- Available for different finishes. Plastic key head. Nickel silver keys.
- Optional different cams.



**EOS SECURE**  
Never Compromise on Security

**Zhongshan City EOS Secure Products Co., Ltd**

**Add:** No.6 Zhifu Road, Xiaolan Town,  
Zhongshan City, Guangdong Province, China

**Contact:** Winny Leung

**Mobile:** +86-13420436003

**Email:** winny@eos-secure.com

**Website:** www.eos-secure.com

